



GRANDE

Sunroom enclosure with glass all around; made of heavy duty Aluminum frame which will serve a lifetime. Applicable for residential and commercial buildings to extend the living and entertaining space without any major construction. Grande can turn your patio or deck into an all season outdoor space. Custom cut to measure profiles allow installation in as little as two days.

SUNROOM GRANDE

SHOP DRAWINGS



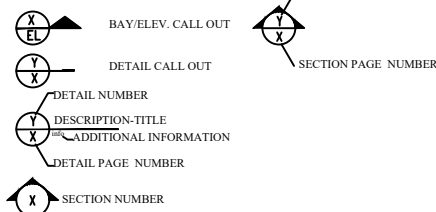
SUNROOM GRANDE

REVISIONS			
NO.	DESCRIPTION	DATE	BY
1	SHOP DRAWINGS 2. SUBMISSION	03.02.2021	A.G
0	SHOP DRAWINGS 1. SUBMISSION	02.17.2021	A.G

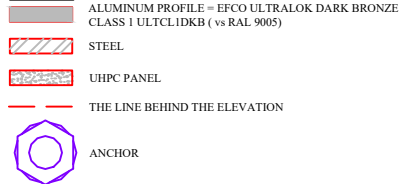
ABBREVIATIONS

- C/L = CENTER LINE
- O.C = ON CENTER
- O.D = OPENING / OVERALL DIMENSION
- RC = REFLECTED CEILING PLAN
- GL-01= 6mm GUARDIAN SN 29-18 #2 +12mm AS + 6mm CLEAR FT
- GL-02= 5+5mm GUARDIAN LAMINATED GLASS
- SC = SECTION
- EL = ELEVATION
- D# = DETAIL

SYMBOLS



MATERIALS



ARCHITECT:

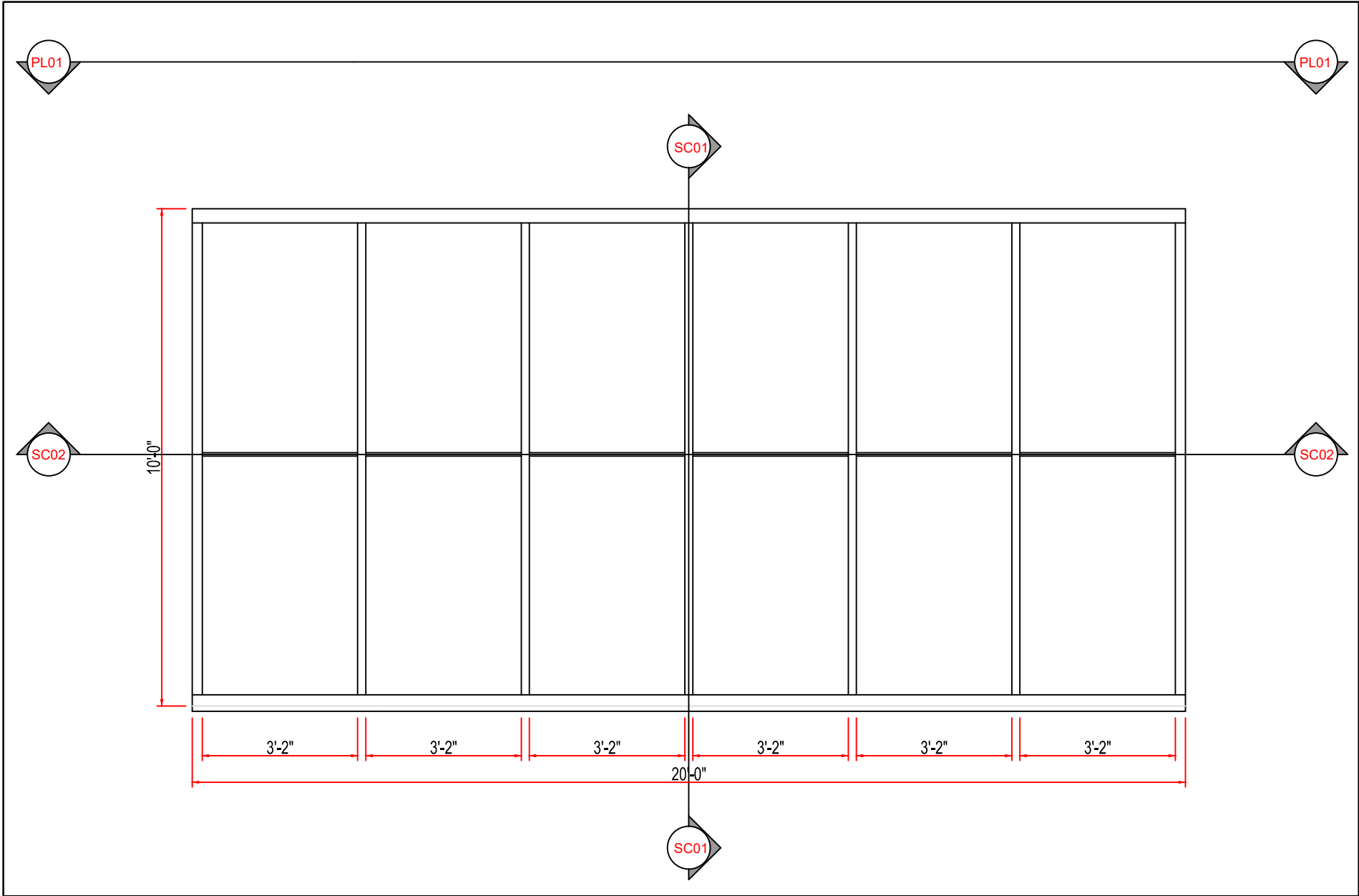
ARCHITECT APPROVAL:

CONTRACTOR:



CONTRACTOR APPROVAL:

DRAWN BY: A.G.
 CHECKED BY: S.K
 DATE:03.02.2021



PL1

PLAN 1

NO.	DESCRIPTION	DATE	BY
1	SHOP DRAWINGS 2. SUBMISSION	03.02.2021	A.G.
0	SHOP DRAWINGS 1. SUBMISSION	02.17.2021	A.G.



SUNROOM GRANDE

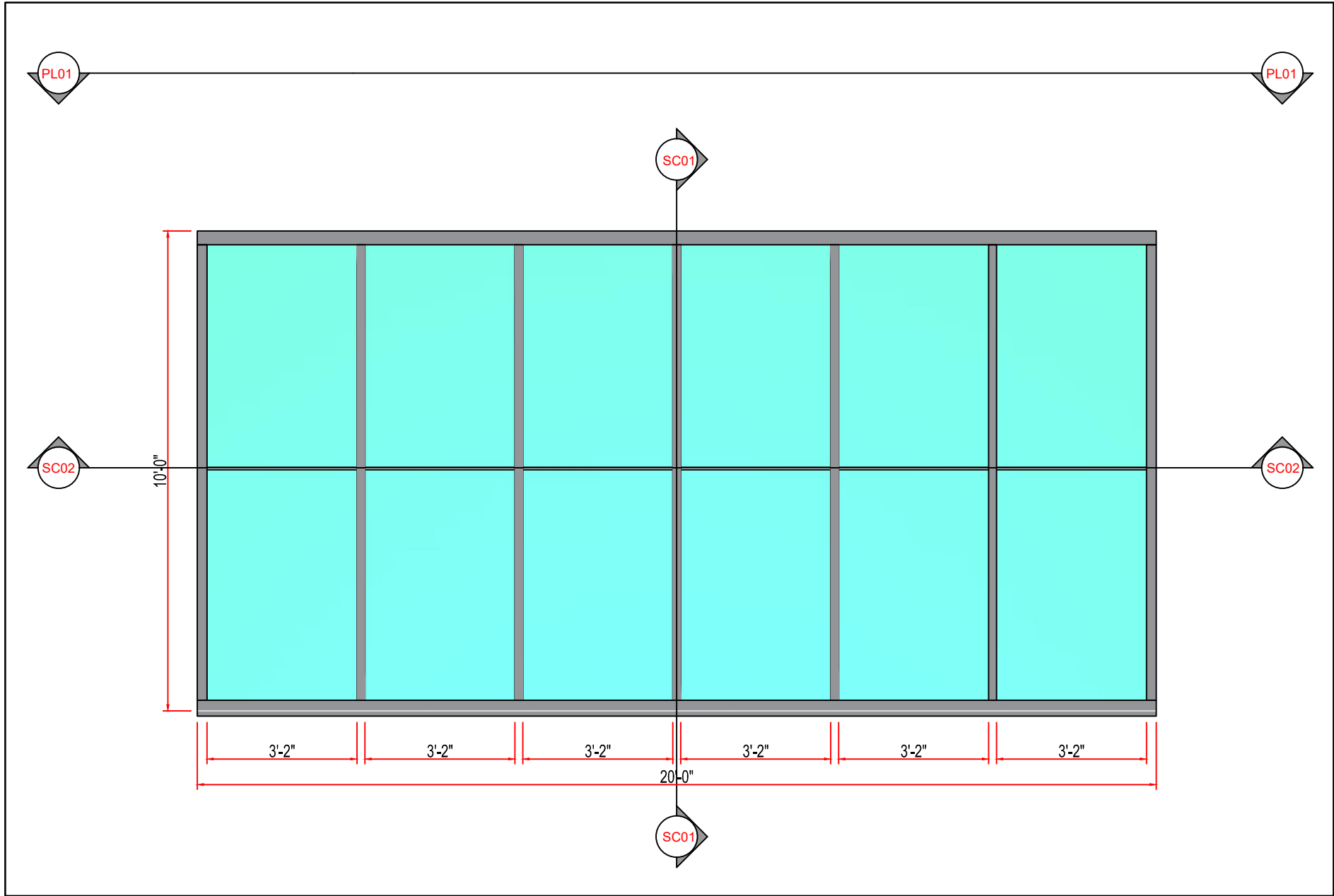
DRAWN BY: A.G.

CHECKED BY: S.K.

SCALE:

DATE: 22.03.2021

PL 01



PL2

PLAN 2

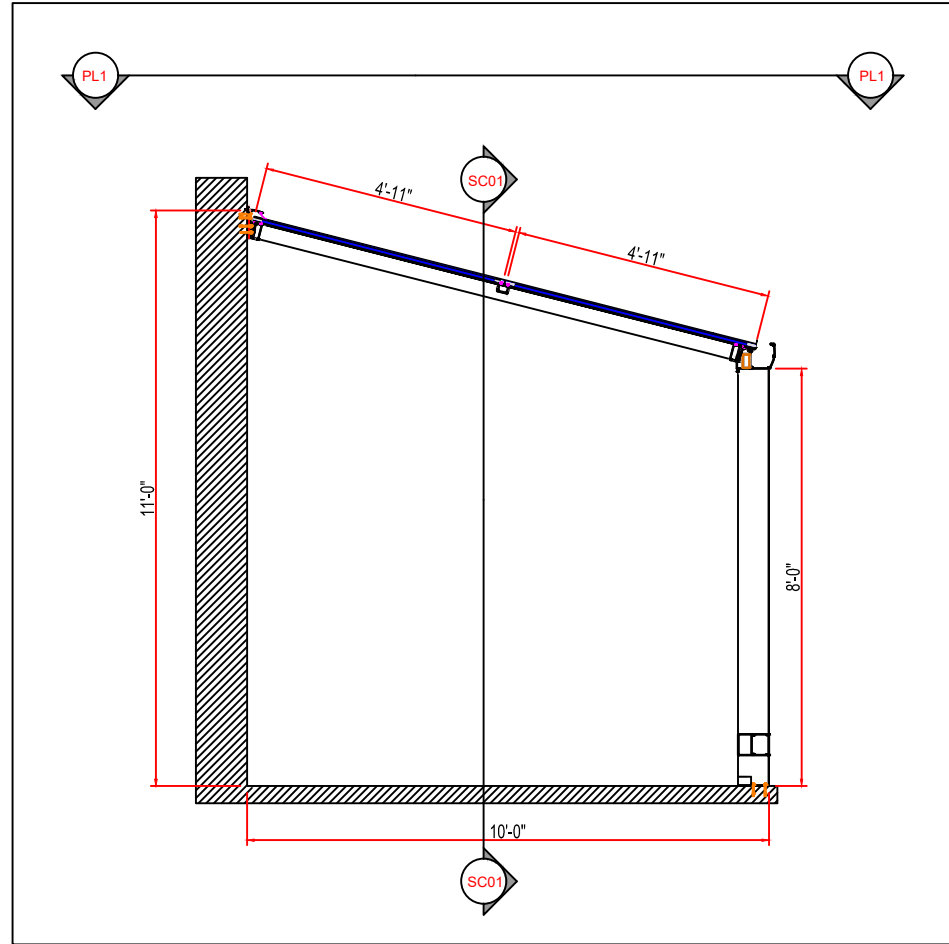
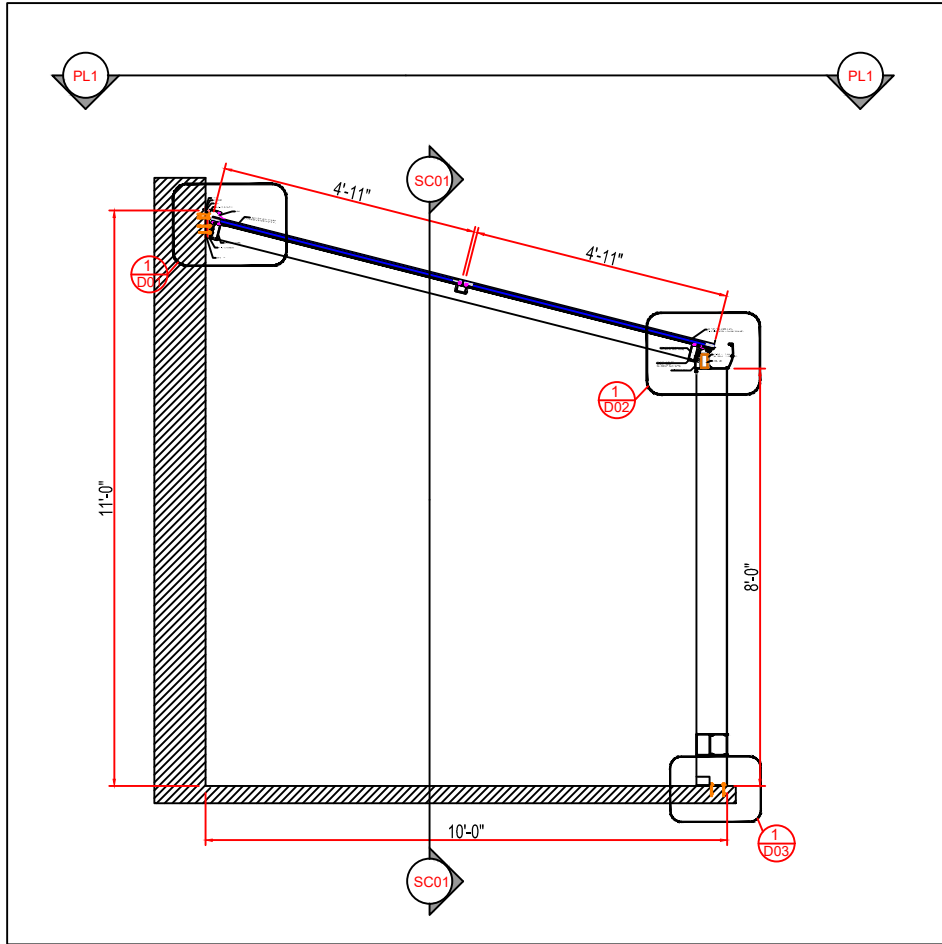
REVISIONS			
NO.	DESCRIPTION	DATE	BY
1	SHOP DRAWINGS 2. SUBMISSION	03.02.2021	A.G.
0	SHOP DRAWINGS 1. SUBMISSION	02.17.2021	A.G.



SUNROOM GRANDE

DRAWN BY: A.G.
CHECKED BY: S.K.
SCALE:
DATE: 22.03.2021

PL 02



1
SC1

SECTION 1

2
SC1

SECTION 1

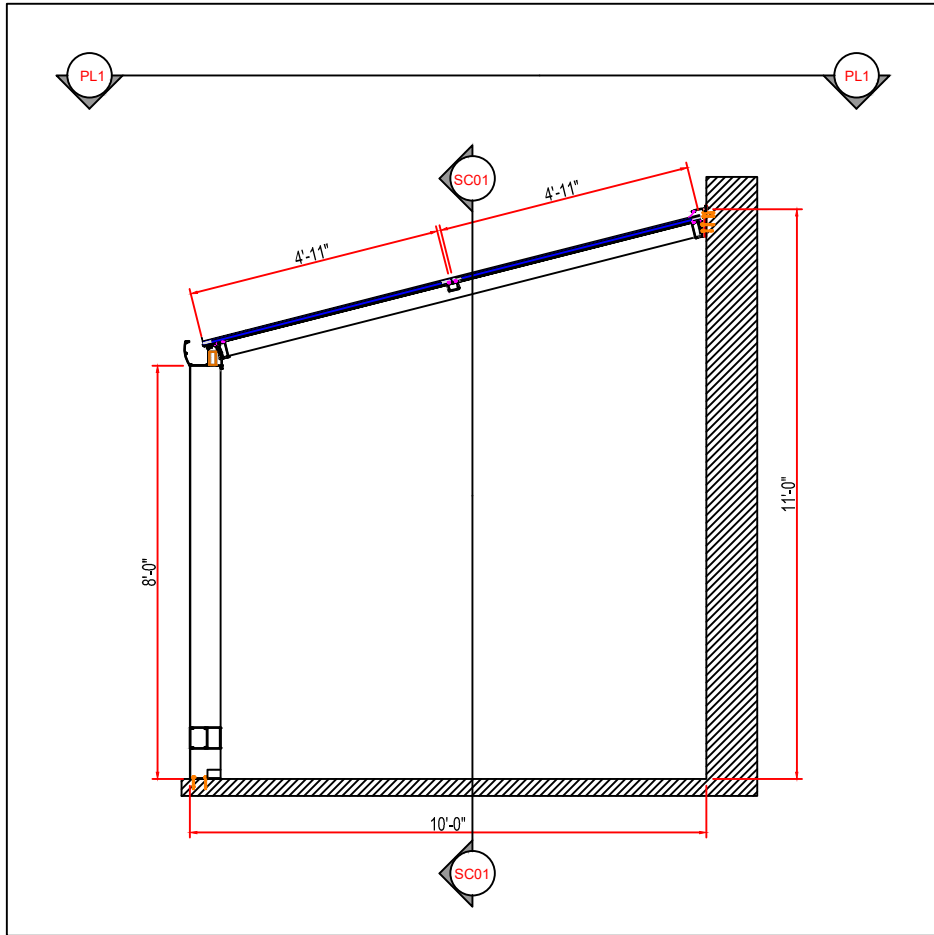
REVISIONS		NO.	DESCRIPTION	DATE	BY
1	SHOP DRAWINGS 2. SUBMISSION	03.02.2021	A.G.		
0	SHOP DRAWINGS 1. SUBMISSION	02.17.2021	A.G.		



SUNROOM GRANDE

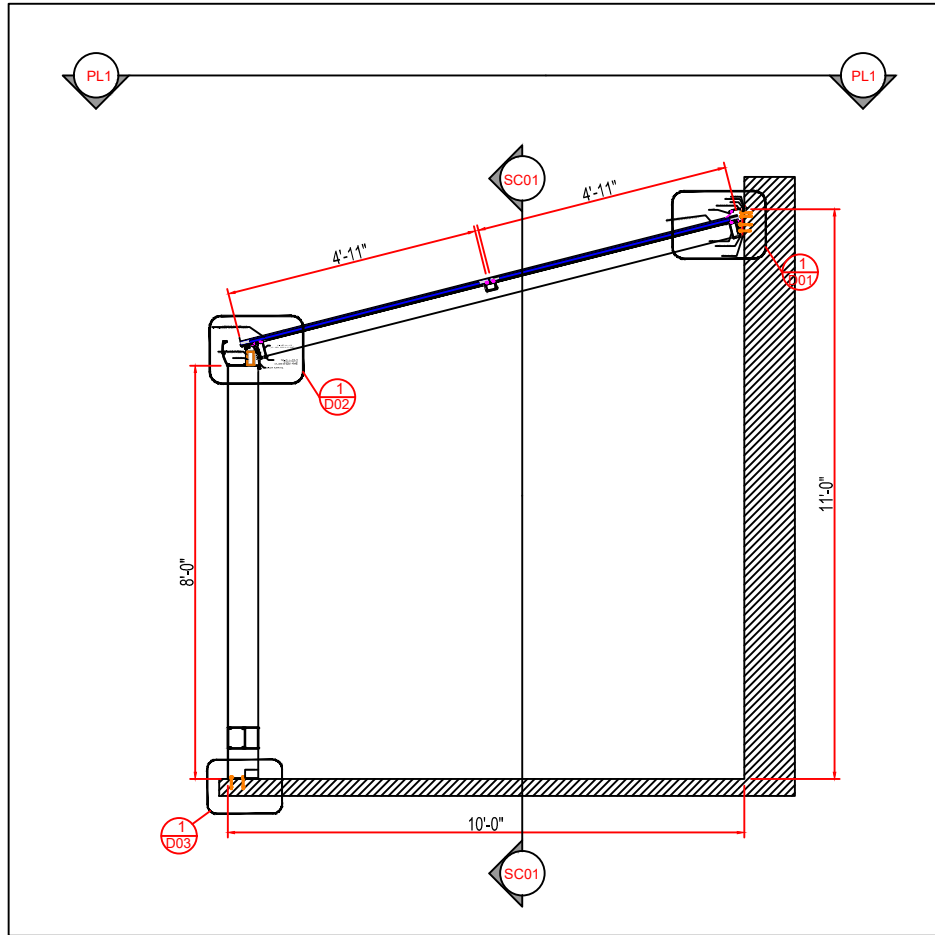
DRAWN BY: A.G.
CHECKED BY: S.K.
SCALE:
DATE: 22.03.2021

SC 1



2
SC2

SECTION 2



1
SC2

SECTION 2

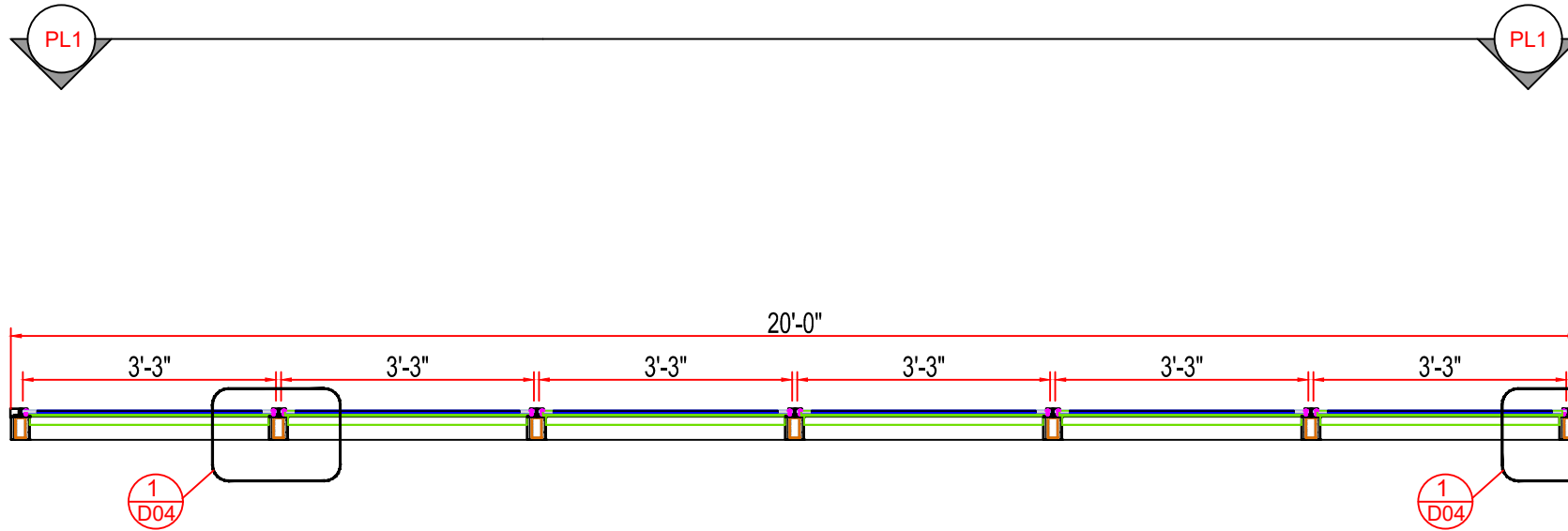
NO.	DESCRIPTION	DATE	BY
1	SHOP DRAWINGS 2, SUBMISSION	03.02.2021	A.G.
0	SHOP DRAWINGS 1, SUBMISSION	02.17.2021	A.G.

SCHILDOR
Ultimate Outdoor Solutions
www.schildor.global

SUNROOM GRANDE

DRAWN BY: A.G.
CHECKED BY: S.K.
SCALE:
DATE: 22.03.2021

SC 2



1
SC3

SECTION 3

NO.	DESCRIPTION	DATE	BY
1	SHOP DRAWINGS 2. SUBMISSION	03.02.2021	A.G.
0	SHOP DRAWINGS 1. SUBMISSION	02.17.2021	A.G.



SUNROOM GRANDE

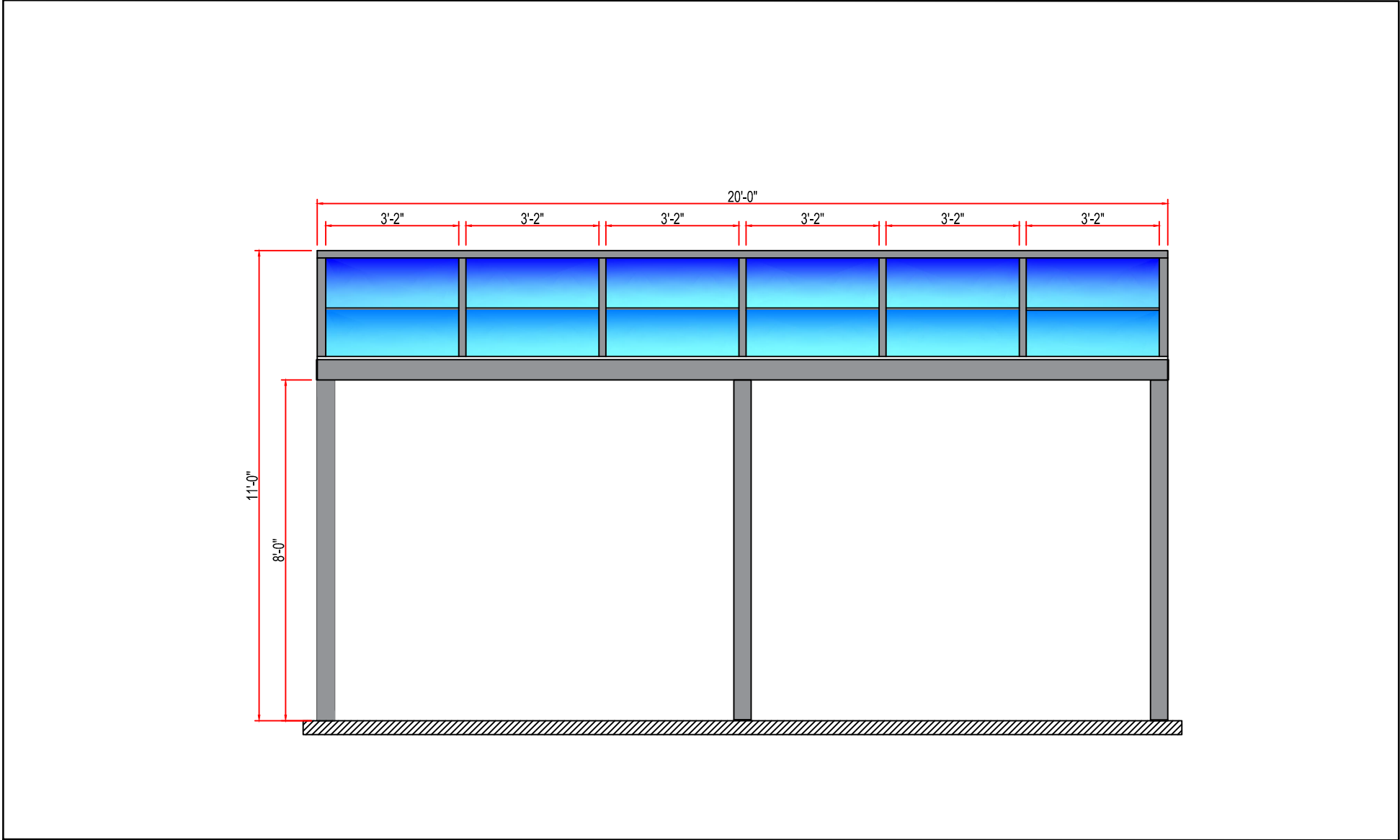
DRAWN BY: A.G.

CHECKED BY: S.K.

SCALE:

DATE: 22.03.2021

SC 3



1
EL1

ELEVATION 1

REVISIONS			
NO.	DESCRIPTION	DATE	BY
1	SHOP DRAWINGS 2. SUBMISSION	03.02.2021	A.G.
0	SHOP DRAWINGS 1. SUBMISSION	02.17.2021	A.G.


SCHILDR
 Ultimate Outdoor Solutions
www.schildr.global

SUNROOM GRANDE

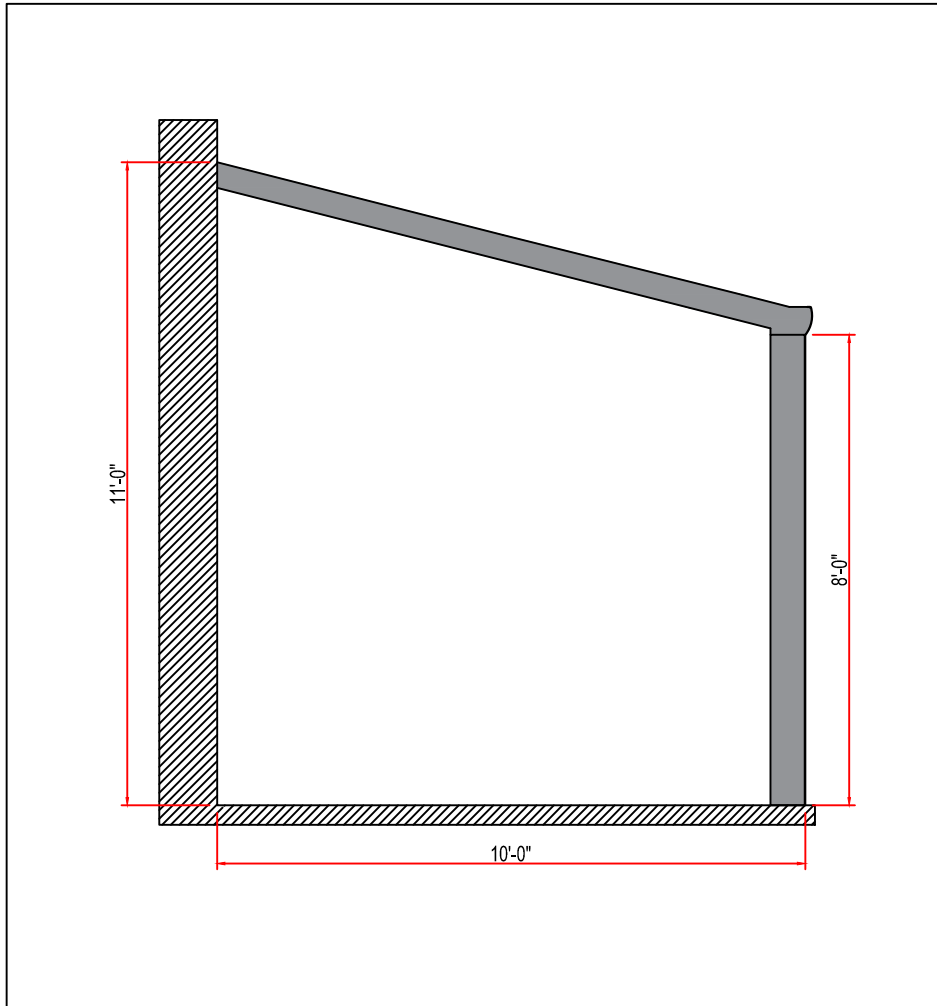
DRAWN BY: A.G.

CHECKED BY: S.K.

SCALE:

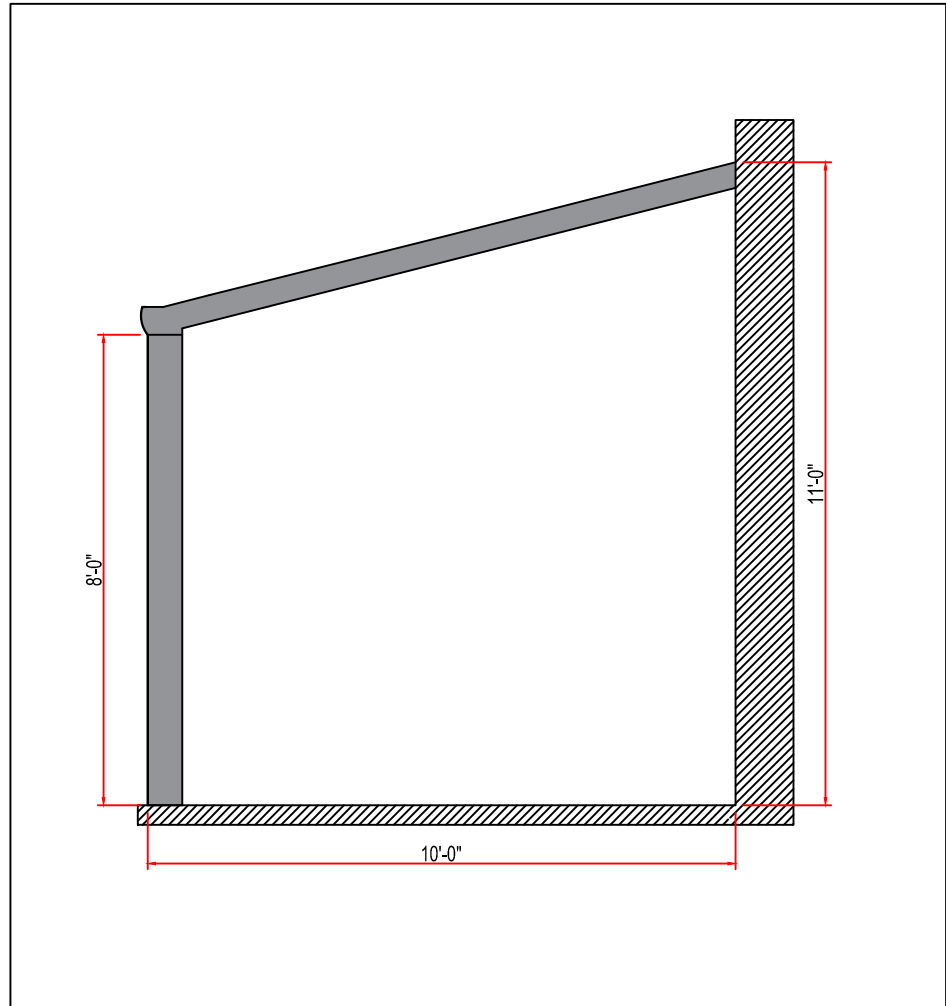
DATE: 22.03.2021

EL 1



1
EL2

ELEVATION 2



2
EL2

ELEVATION 3

REVISIONS			
NO.	DESCRIPTION	DATE	BY
1	SHOP DRAWINGS 2. SUBMISSION	03.02.2021	A.G.
0	SHOP DRAWINGS 1. SUBMISSION	02.17.2021	A.G.



SCHILDR

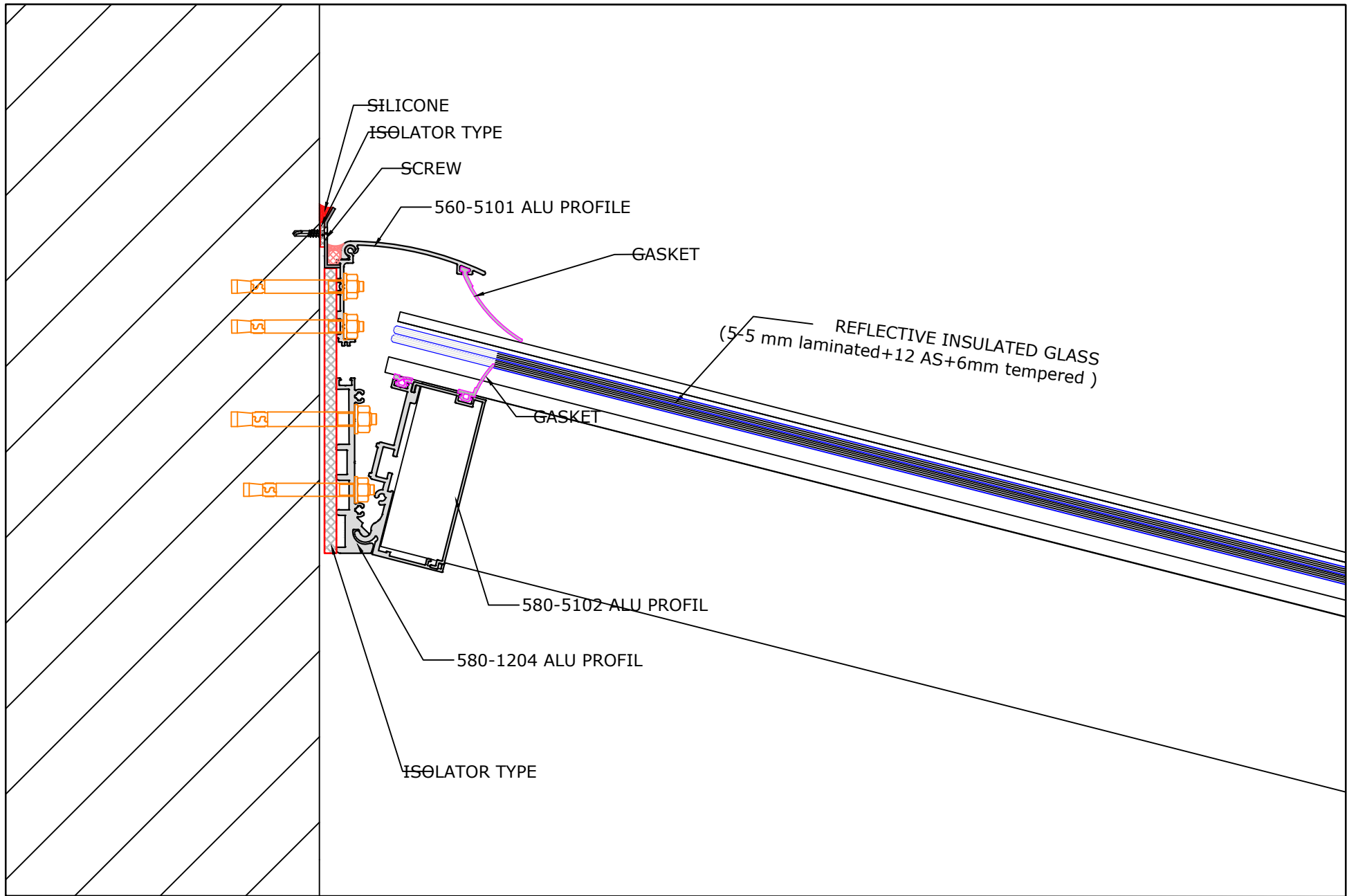
 Ultimate Outdoor Solutions

www.schildr.com

SUNROOM GRANDE

DRAWN BY: A.G.
 CHECKED BY: S.K.
 SCALE:
 DATE: 22.03.2021

EL 2



1
D01

SKYLIGHT DETAIL

REVISIONS			
NO.	DESCRIPTION	DATE	BY
1	SHOP DRAWINGS 2. SUBMISSION	03.02.2021	A.G.
0	SHOP DRAWINGS 1. SUBMISSION	02.17.2021	A.G.



SUNROOM GRANDE

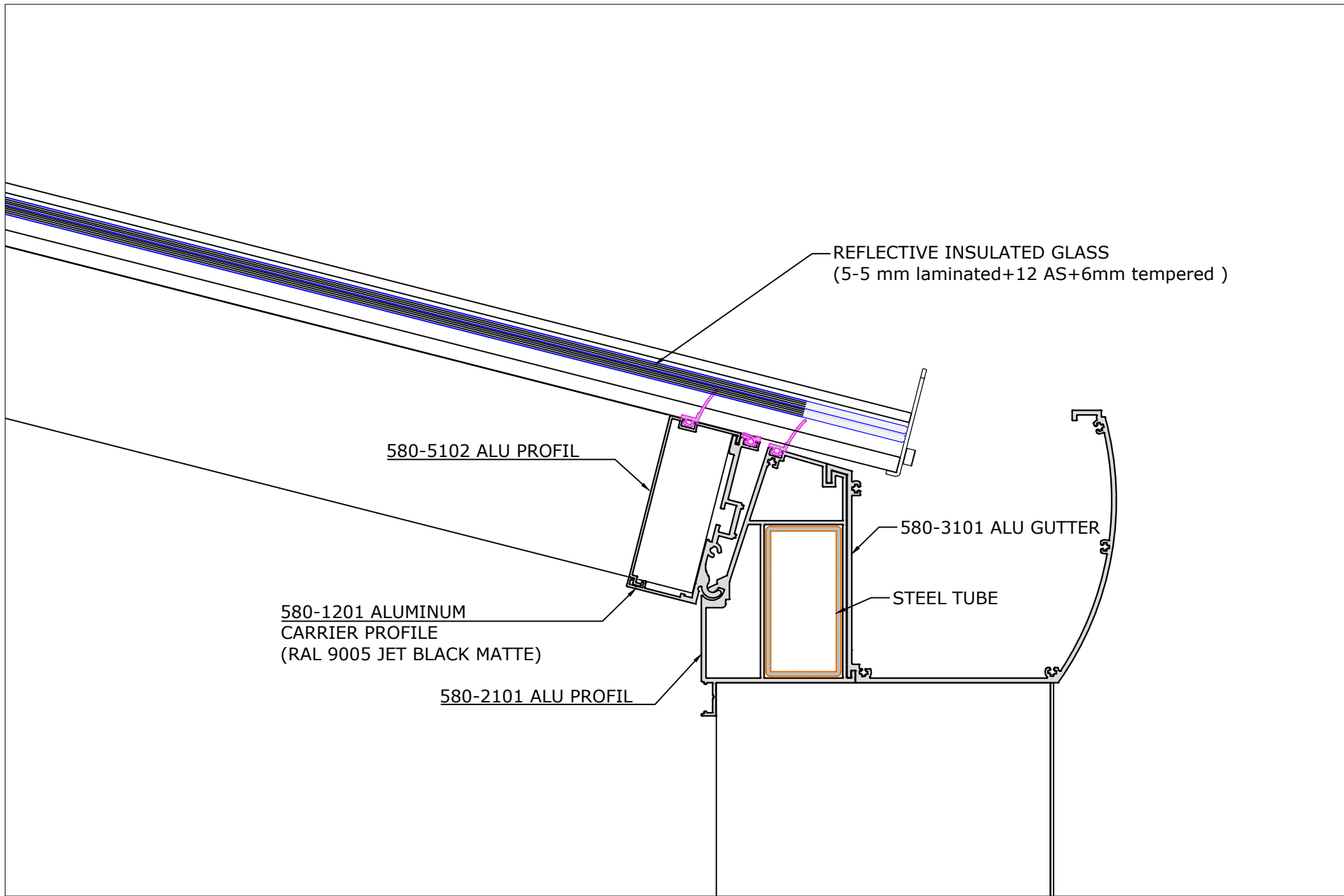
DRAWN BY: A.G.

CHECKED BY: S.K.

SCALE:

DATE: 22.03.2021

D1



REFLECTIVE INSULATED GLASS
(5-5 mm laminated+12 AS+6mm tempered)

580-5102 ALU PROFIL

580-1201 ALUMINUM
CARRIER PROFILE
(RAL 9005 JET BLACK MATTE)

580-2101 ALU PROFIL

580-3101 ALU GUTTER

STEEL TUBE

1
D02

SKYLIGHT GUTTER DETAIL

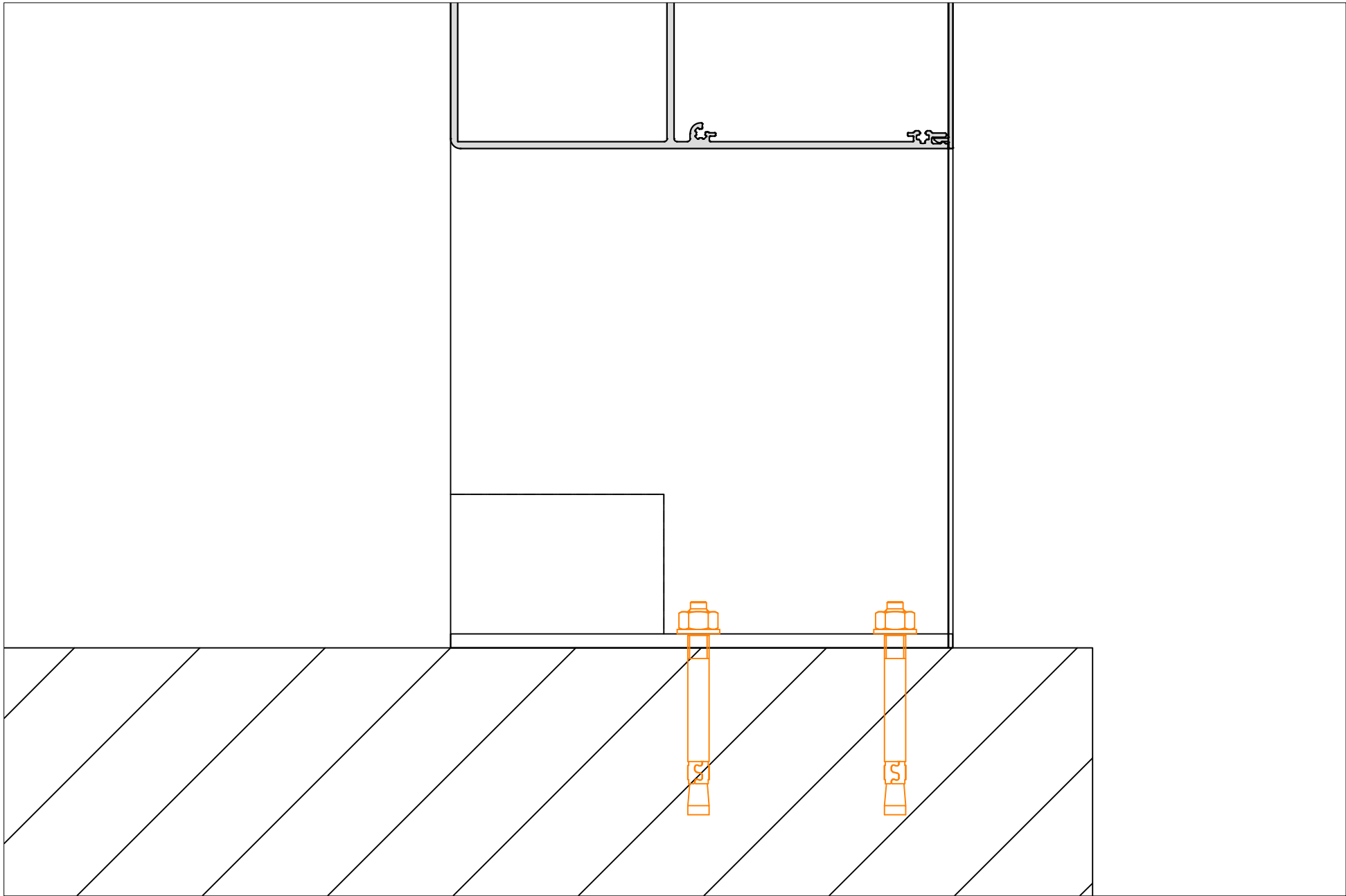
NO.	DESCRIPTION	DATE	BY
1	SHOP DRAWINGS 2. SUBMISSION	03.02.2021	A.G.
0	SHOP DRAWINGS 1. SUBMISSION	02.17.2021	A.G.



SUNROOM GRANDE

DRAWN BY: A.G.
CHECKED BY: S.K.
SCALE:
DATE: 22.03.2021

D2



1
D03

SKYLIGHT DETAIL

REVISIONS			
NO.	DESCRIPTION	DATE	BY
1	SHOP DRAWINGS 2. SUBMISSION	03.02.2021	A.G.
0	SHOP DRAWINGS 1. SUBMISSION	02.17.2021	A.G.



SUNROOM GRANDE

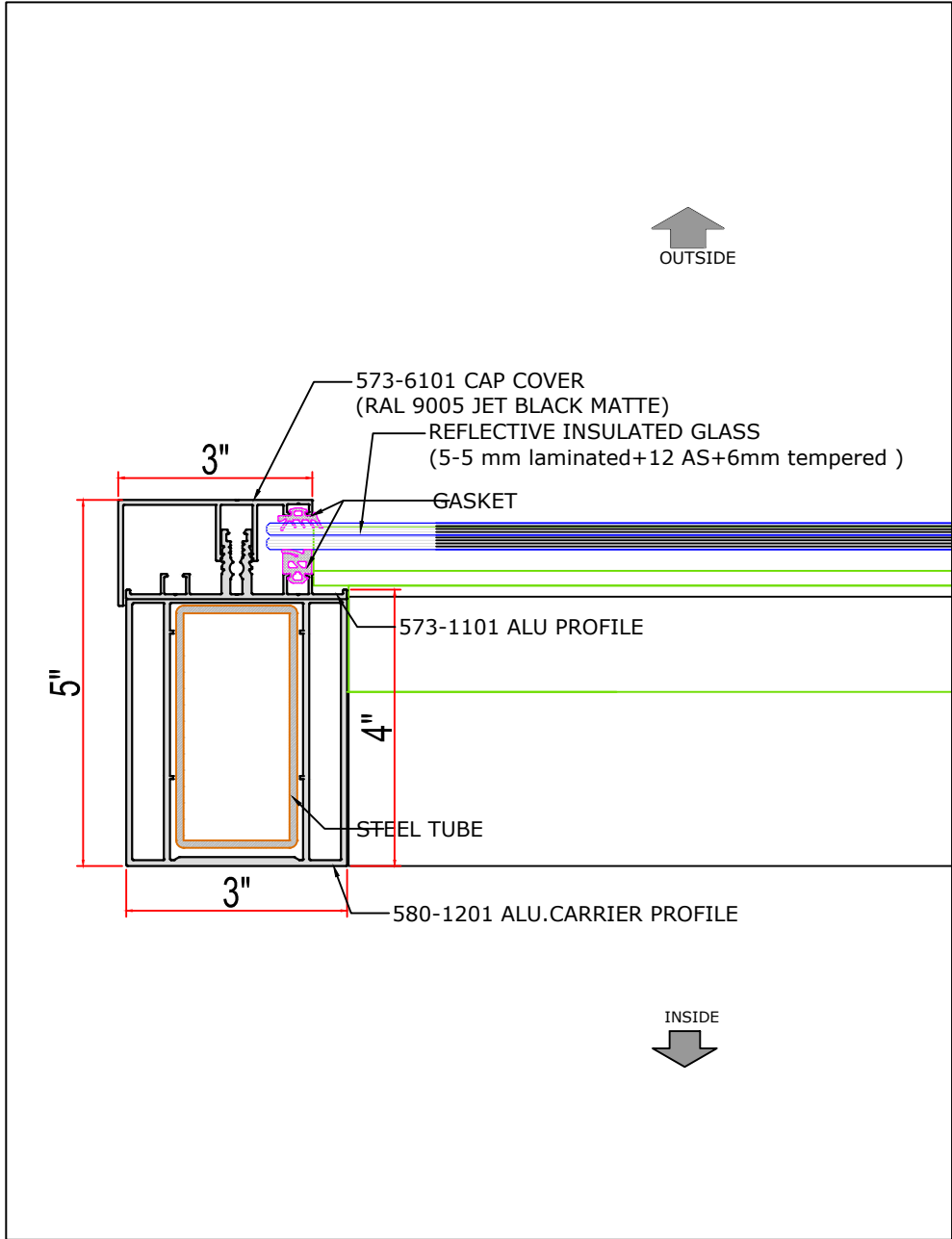
DRAWN BY: A.G.

CHECKED BY: S.K.

SCALE:

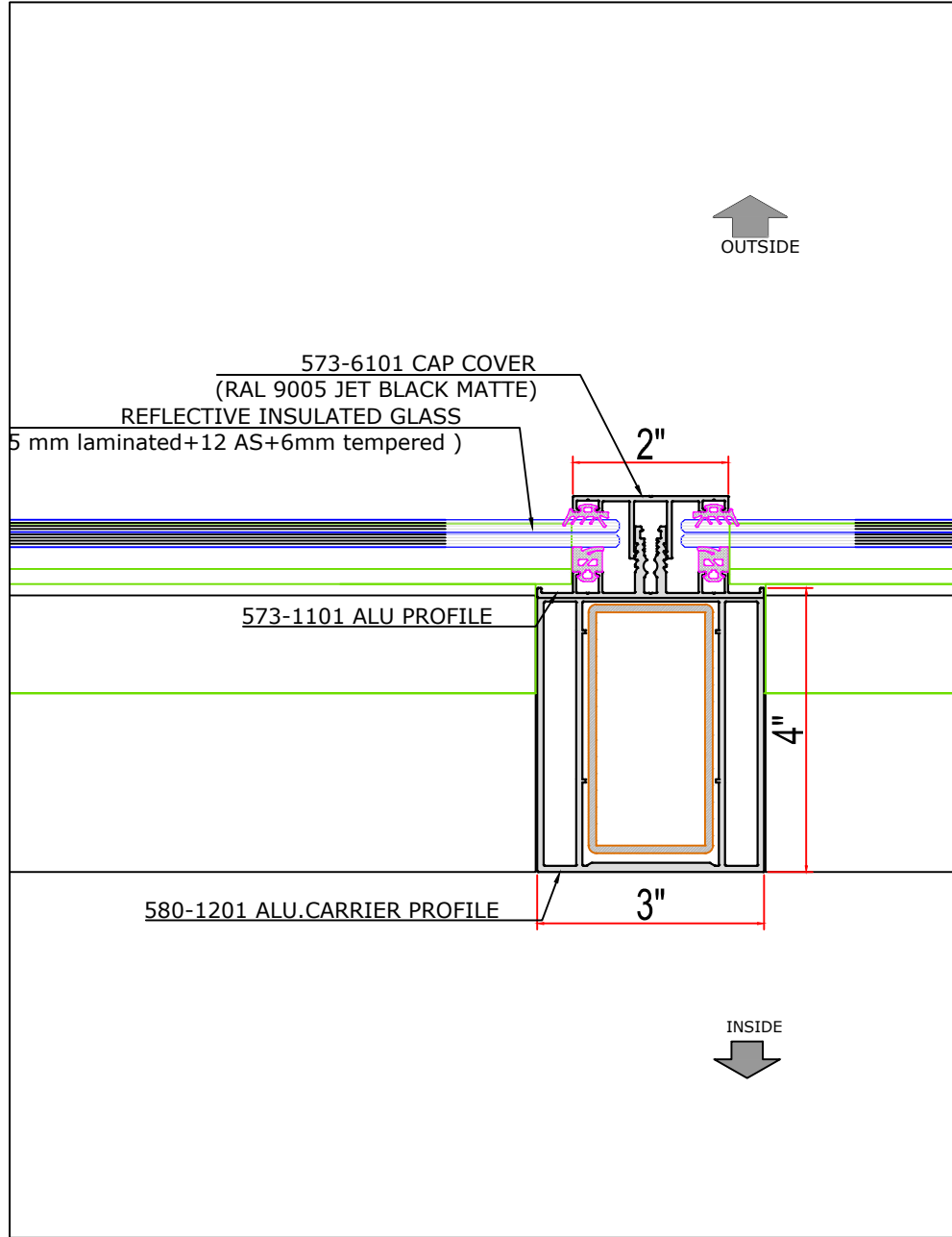
DATE: 22.03.2021

D3



1
D04

ELEVATION 2



2
D04

ELEVATION 3

NO.	DESCRIPTION	DATE	BY
1	SHOP DRAWINGS 2. SUBMISSION	03.02.2021	A.G.
0	SHOP DRAWINGS 1. SUBMISSION	02.17.2021	A.G.

SCHILDOR
Ultimate Outdoor Solutions
www.schildor.global

SUNROOM GRANDE

DRAWN BY: A.G.

CHECKED BY: S.K.

SCALE:

DATE: 22.03.2021

D4