



LOUVER

High-end motorized louvered roof, made of aluminum structure with optional insulated aluminum panels, offers outstanding comfort in rainy and sunny days. Louvered Roof withstands greater snow loads and strong winds. It is a great application for your patio, terrace, or restaurant all year round.

SCHILDR LOUVER LP450

TECHNICAL SHEET

SCHILDR LOUVER LP450

interact noiselessly with nature to offer you constant comfort in changing weather conditions, with minimum energy consumption.

The secret lies in the cover with adjustable louvres: when slightly open, they rotate to create an agreeable light breeze and block out direct sunlight. When closed, they provide protection from the rain while rainwater runs off into built-in downpipes.

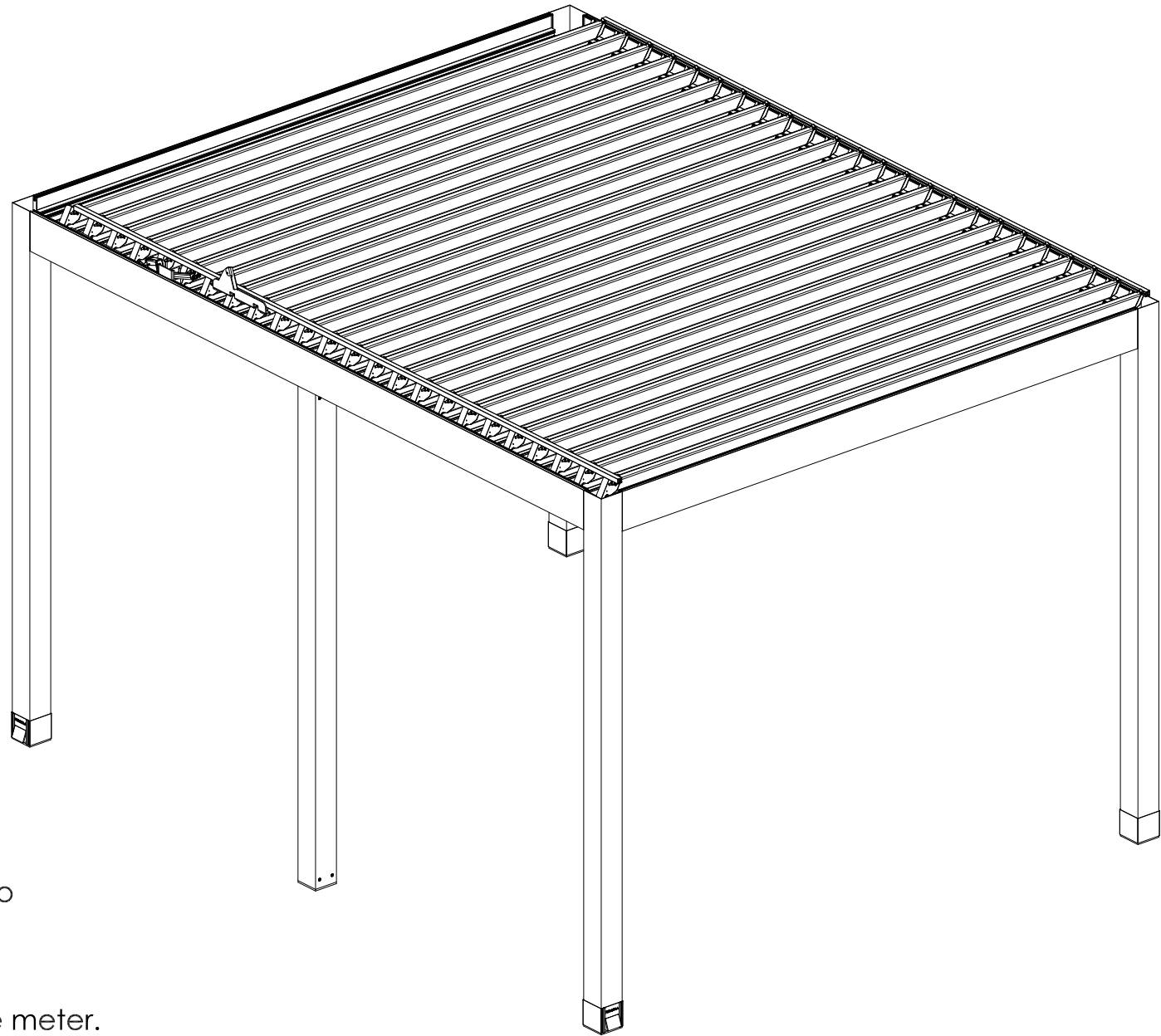
Louver can be closed on all sides for a shading effect in the hottest months, or with glass panels so you can enjoy the view in the coldest months.

When it snows, you want a strong patio cover that you can rely on.

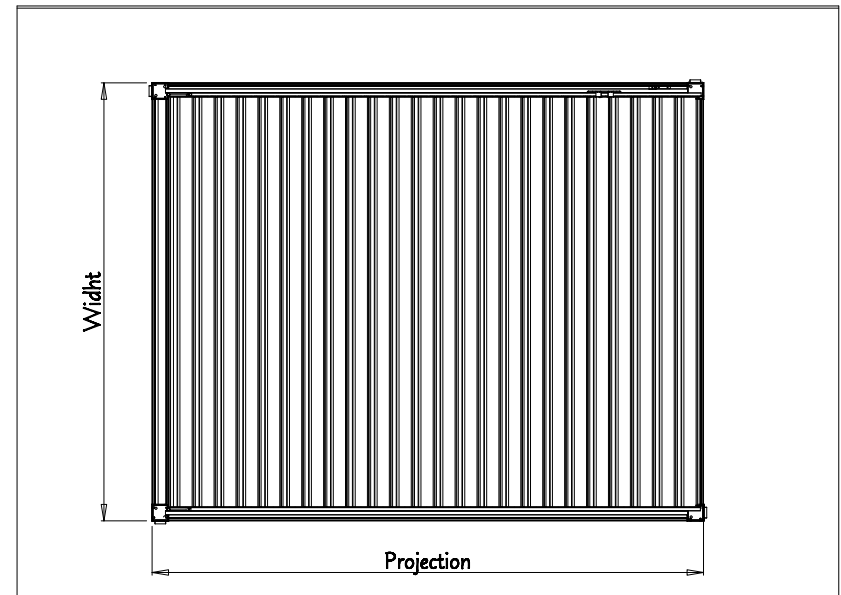
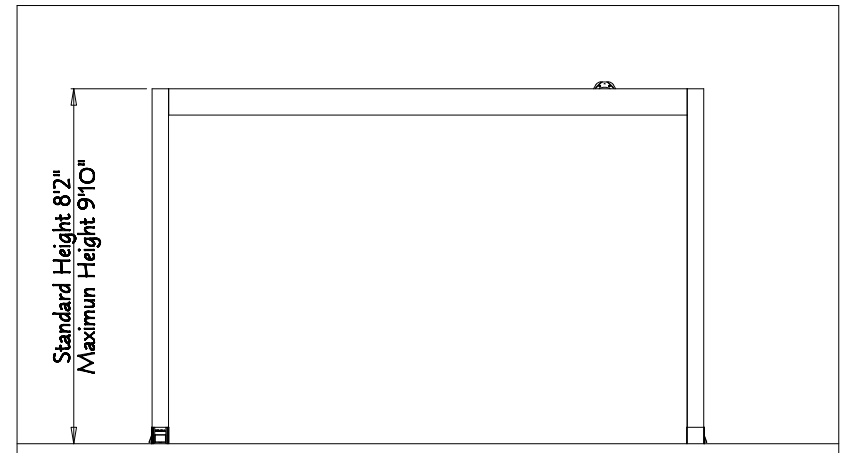
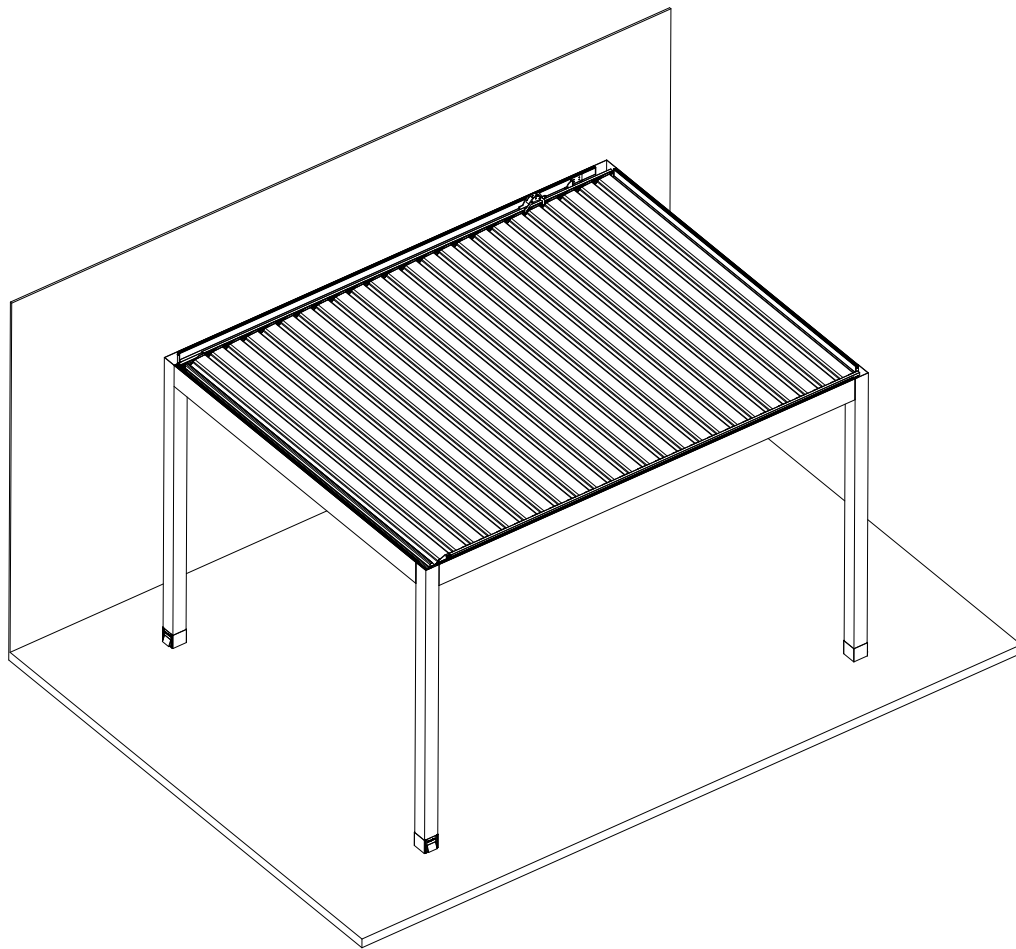
You don't ever want to have to worry about the weight of all that snow falling on your patio cover and you don't want to spend any time clearing snow off your

roof either. Fortunately, the Louver LP450 can bear up to 440 pound of snow per square meter.

The Louver has a perfect wind resistance up to 80 m/ph (Beaufort Wind Scale 12)



SCHILDR LOUVER LP450

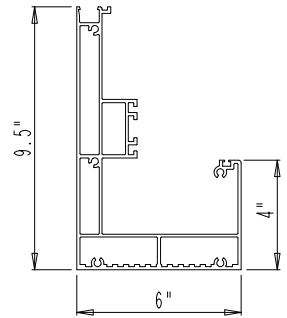


MAXIMUM DIMENSIONS CM

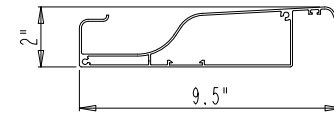
	Projection	Width
Single Module	6000	4500
Single Module	8000	4500

The Max. series is manufactured with four pillars up to a projection measure of 6000 mm. Above this, one more pillar needs to be added for each of projection sides.

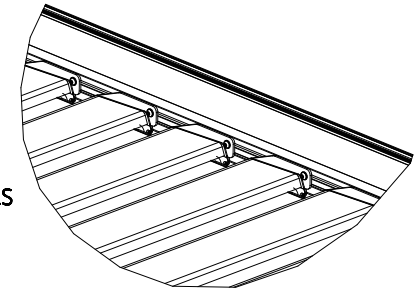
SCHILD R LOUVER LP450



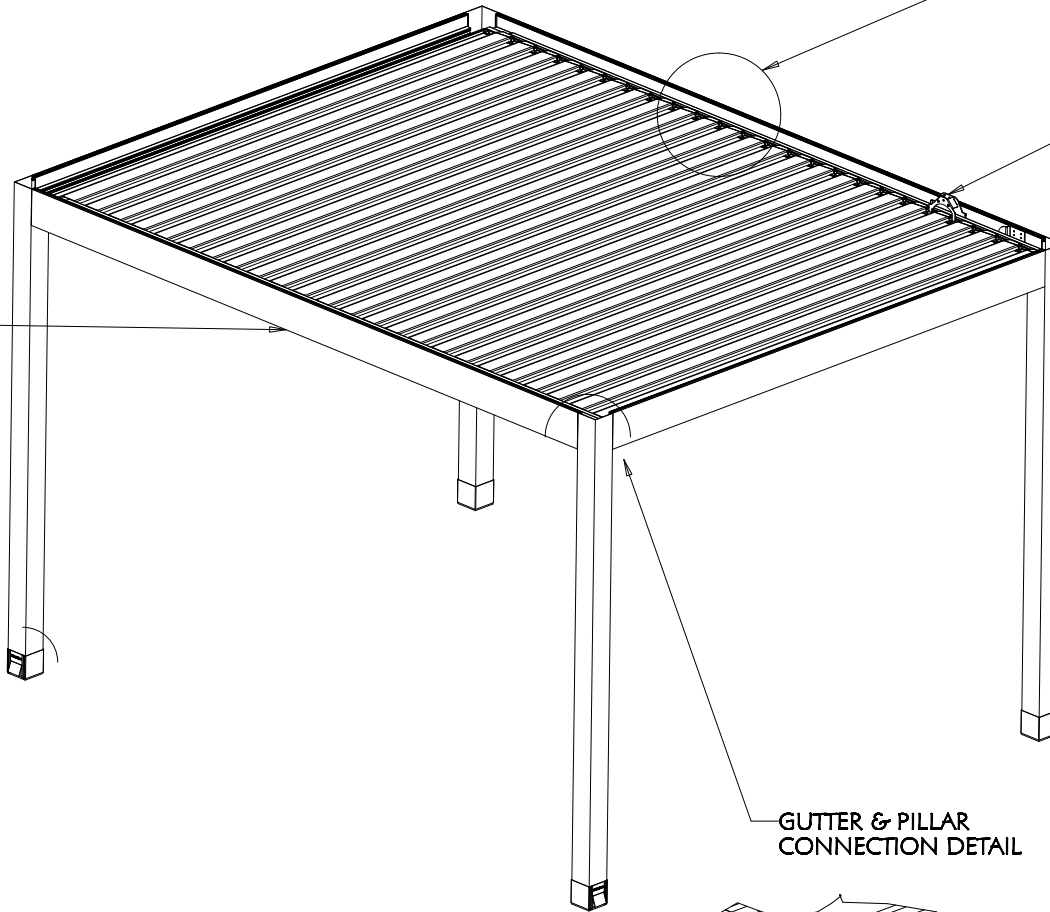
150x240 GUTTER



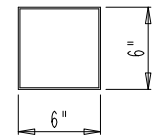
LAMELS



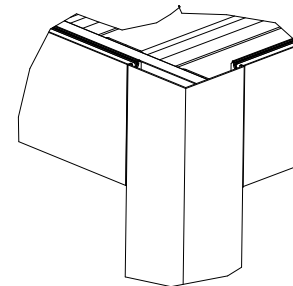
MOTOR CONTROL UNIT



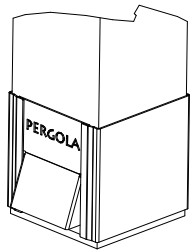
150x150 PILLAR



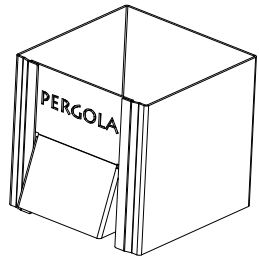
GUTTER & PILLAR CONNECTION DETAIL



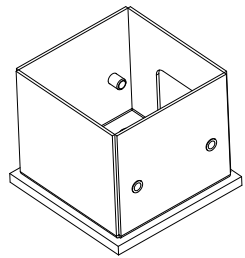
BASE PLATE



SCHILDR LOUVER LP450



B1



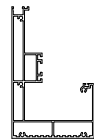
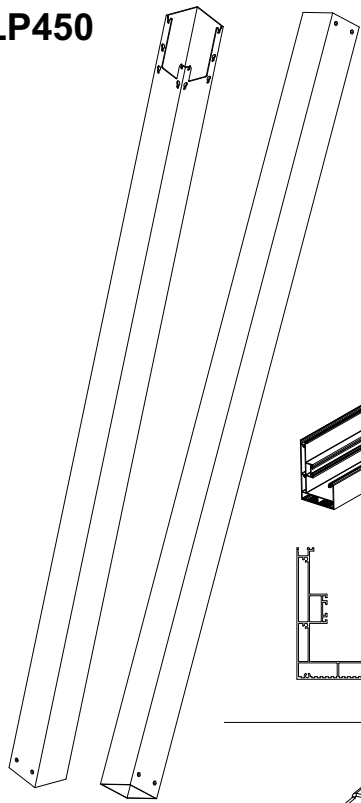
B2



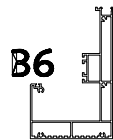
B3



B4



B5



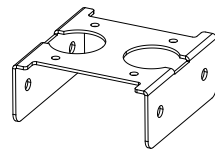
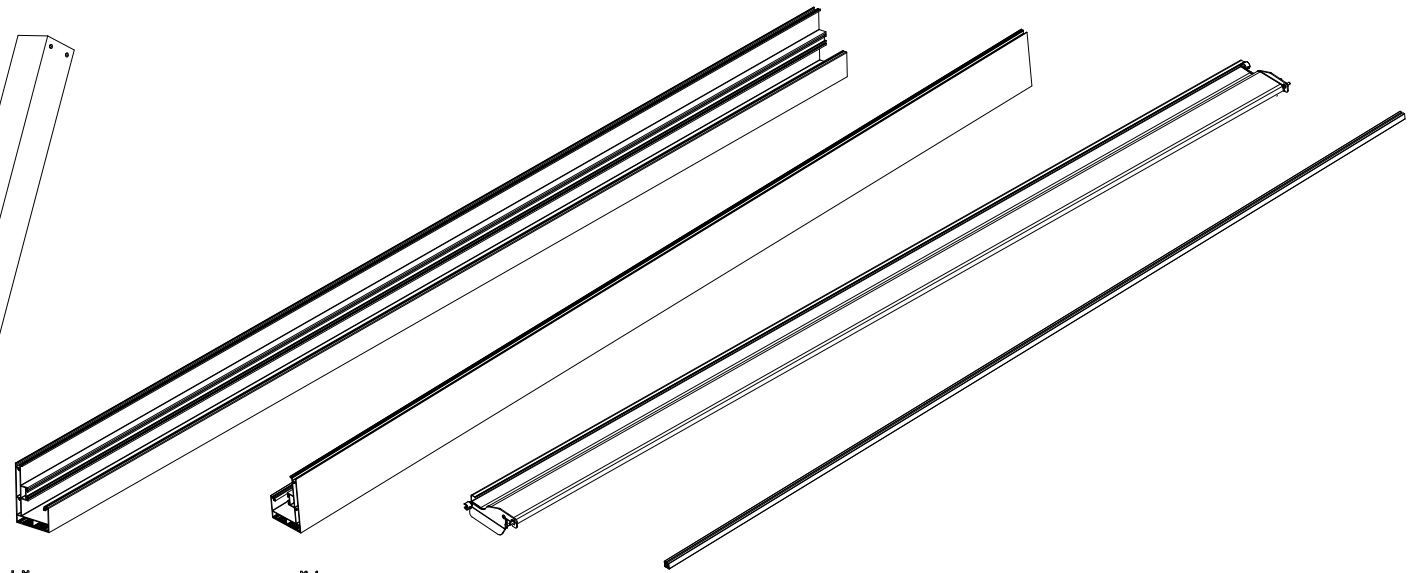
B6



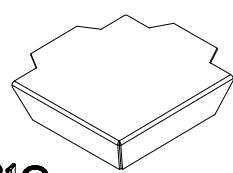
B7



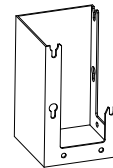
B8



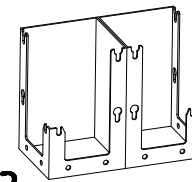
B9



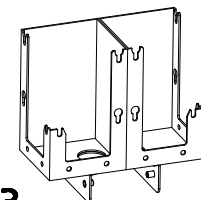
B10



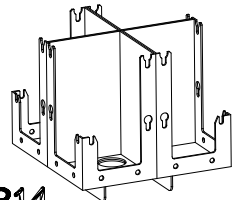
B11



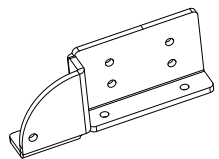
B12



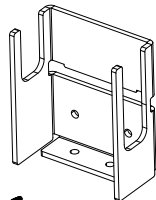
B13



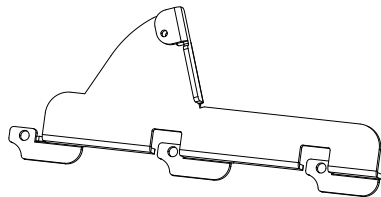
B14



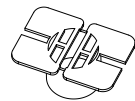
B15



B16

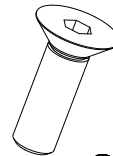


B17

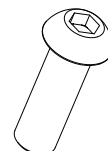


B18

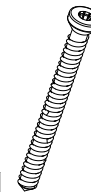
B19



B20



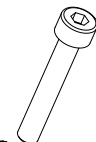
B21



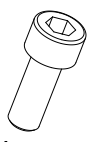
B22



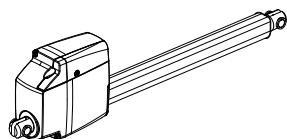
B23



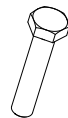
B24



B25



B26



B27



B28



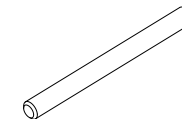
B29



B30



B31

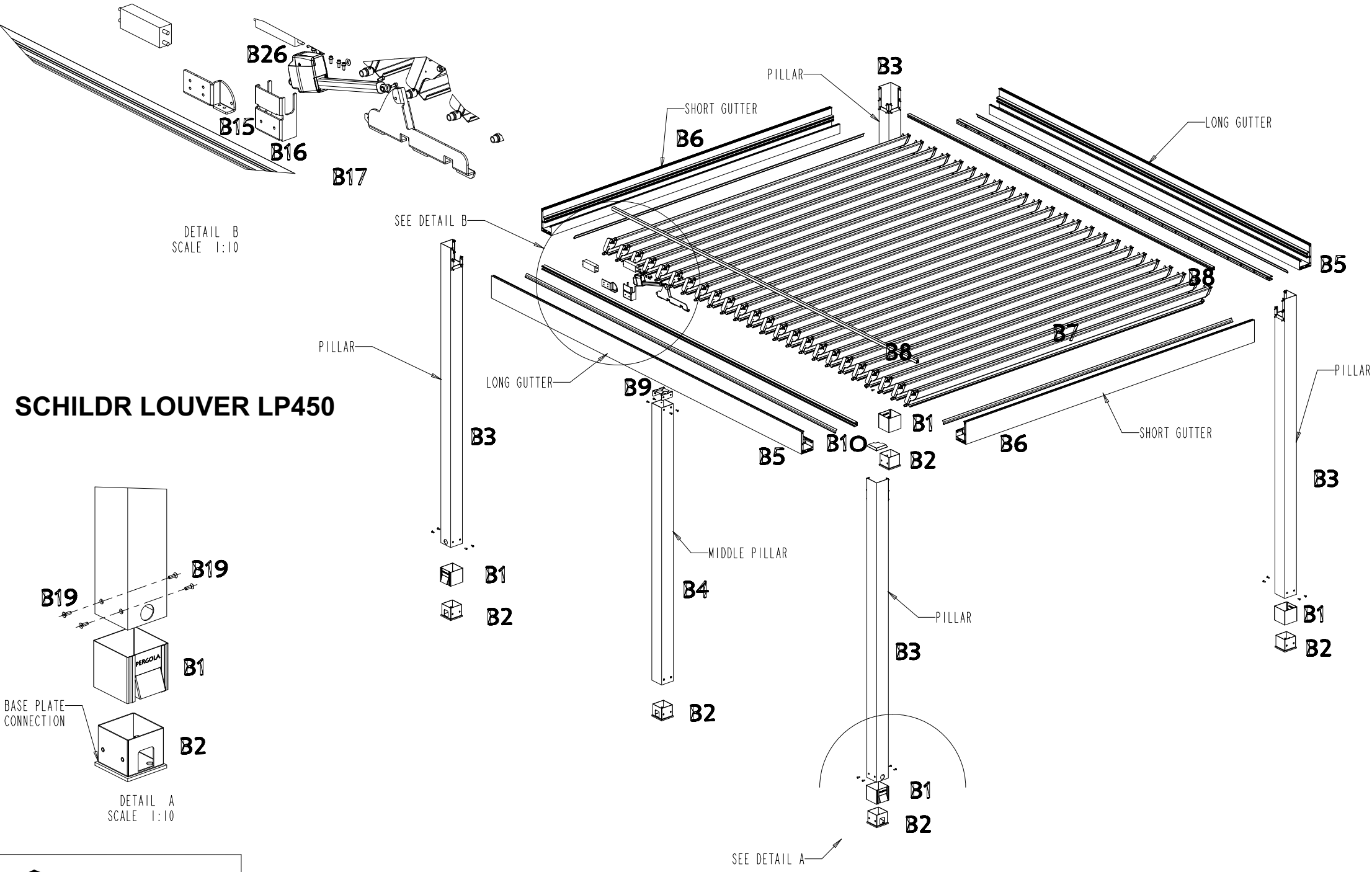


B32

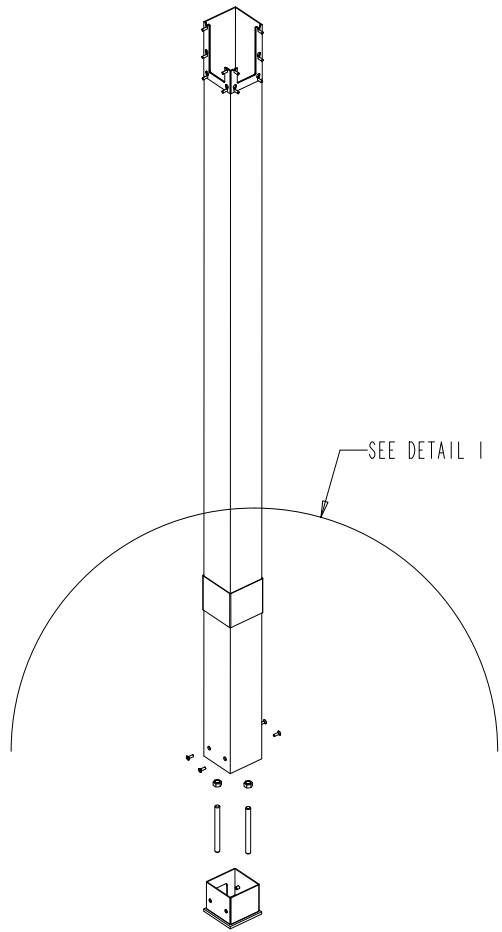


B33

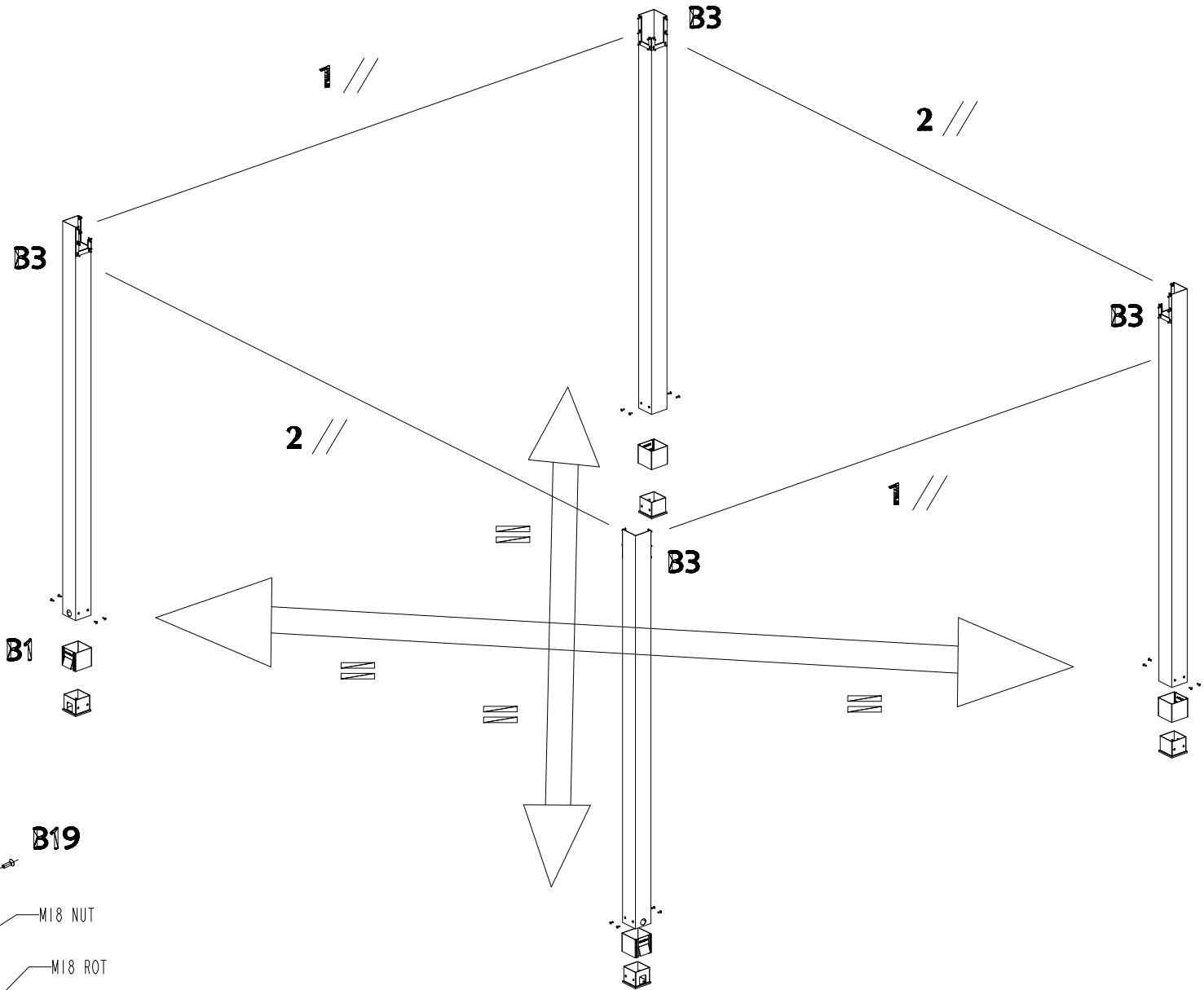
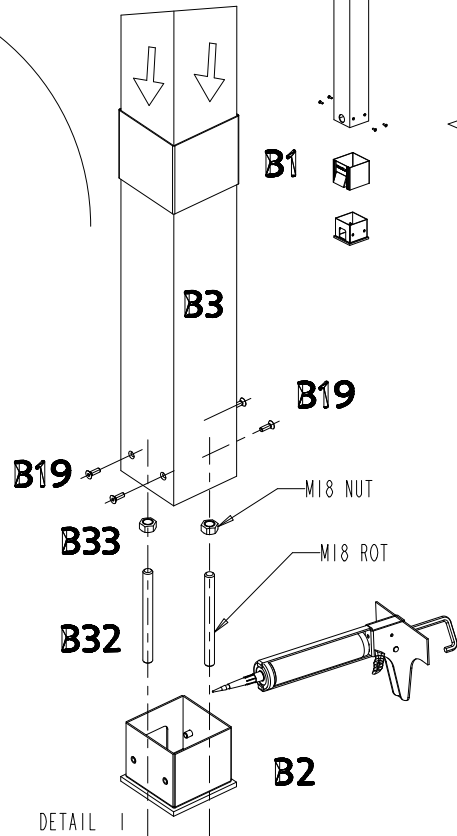
SCHILDR LOUVER LP450



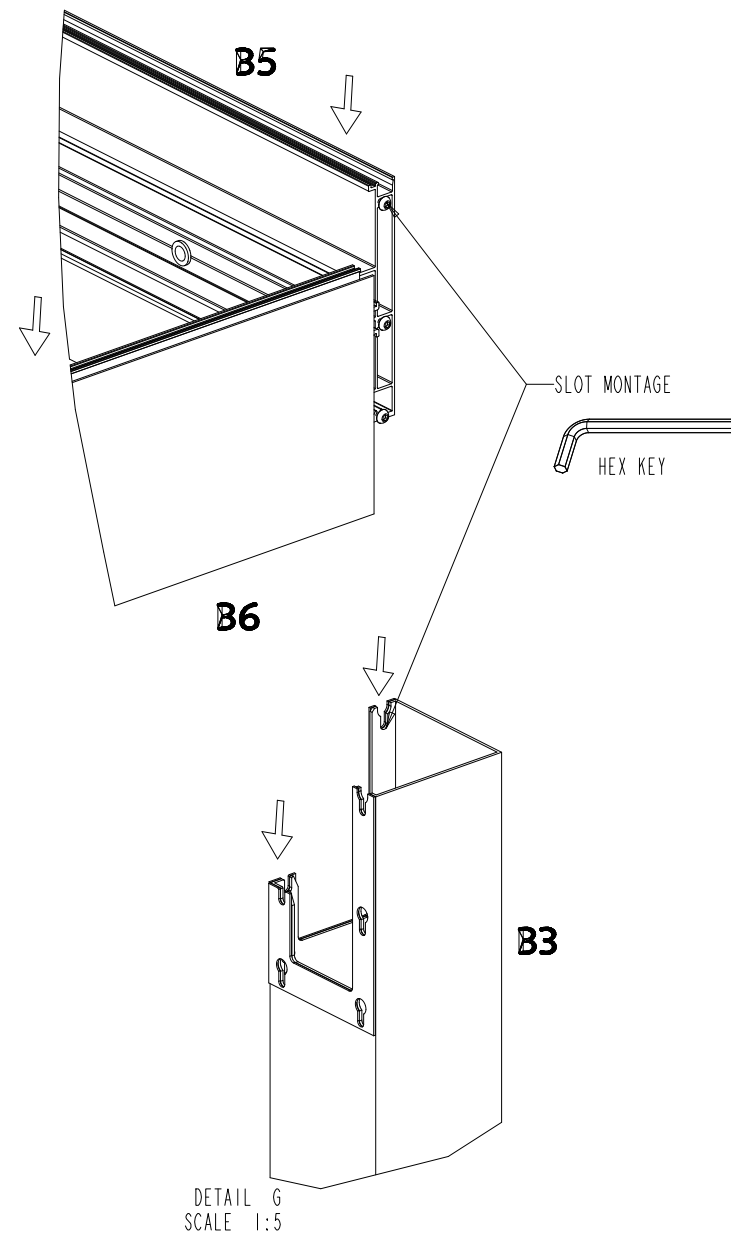
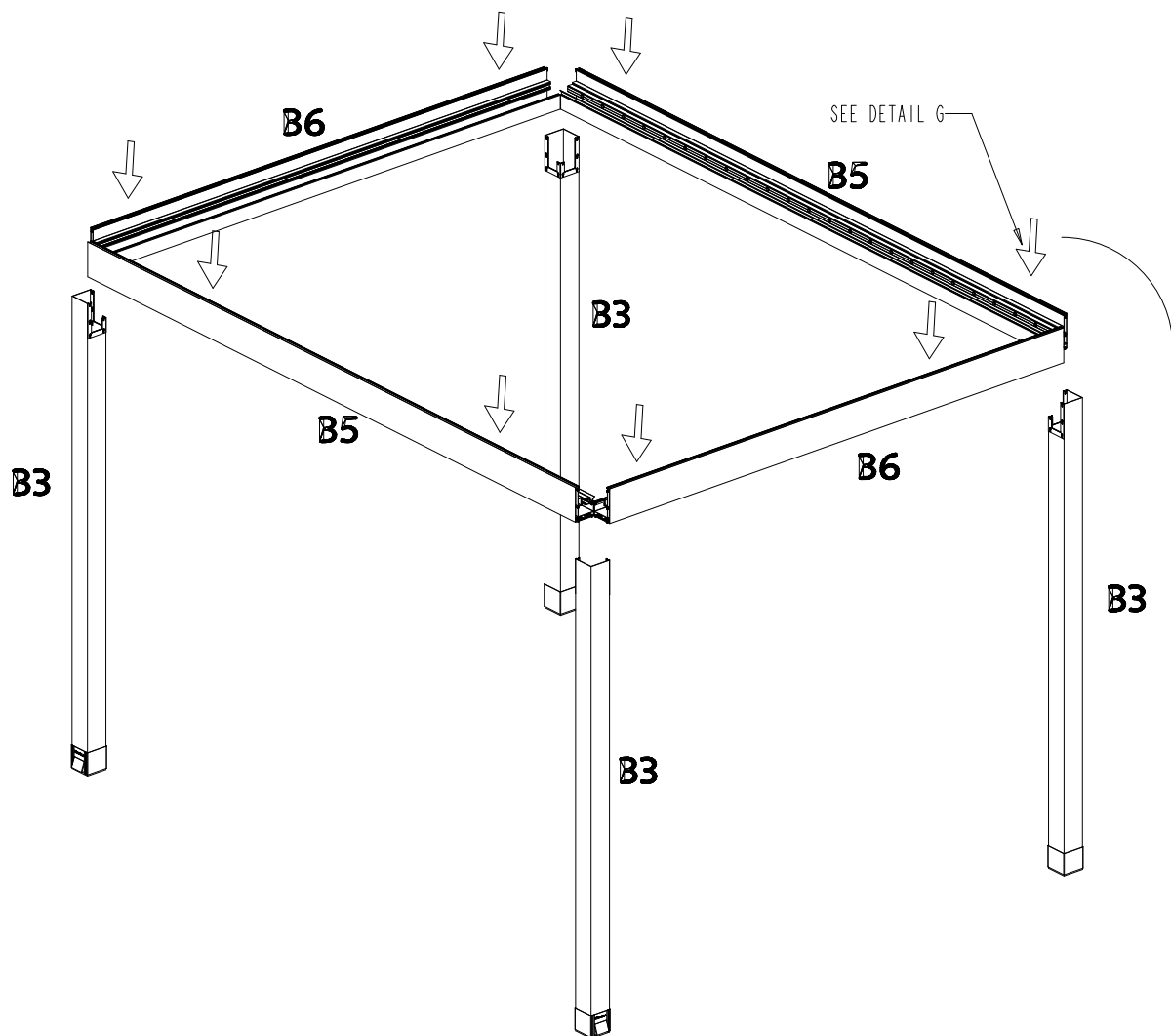
SCHILDR LOUVER LP450



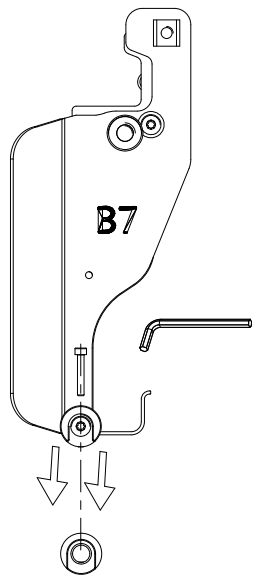
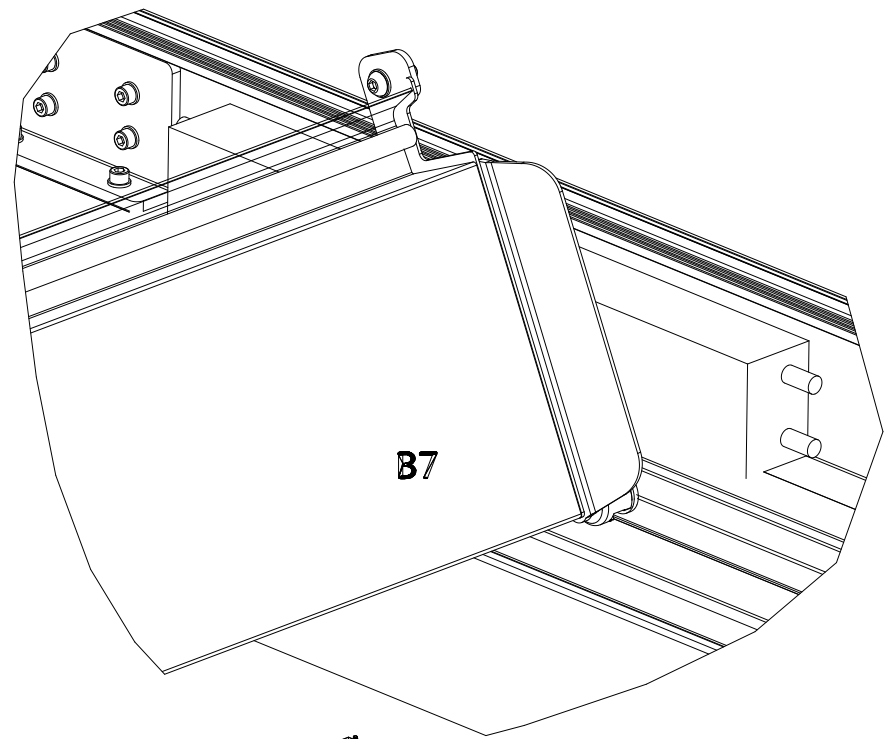
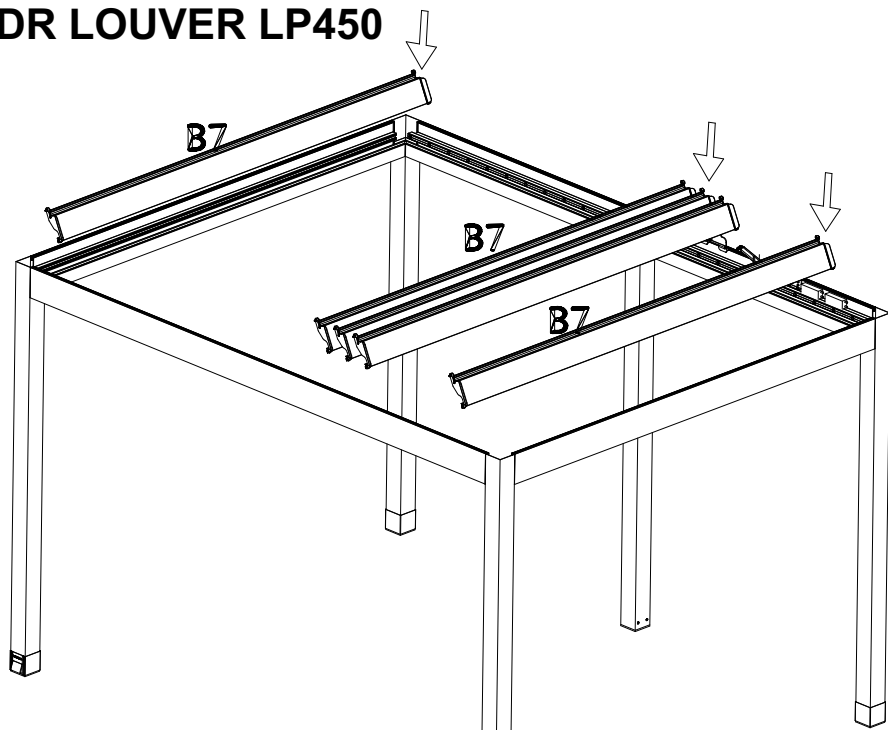
SCALE 1:20



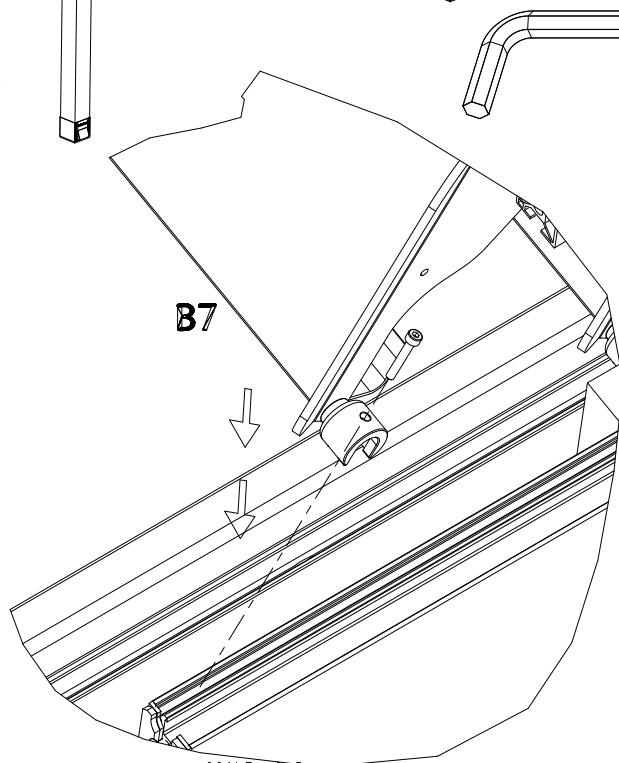
SCHILDR LOUVER LP450



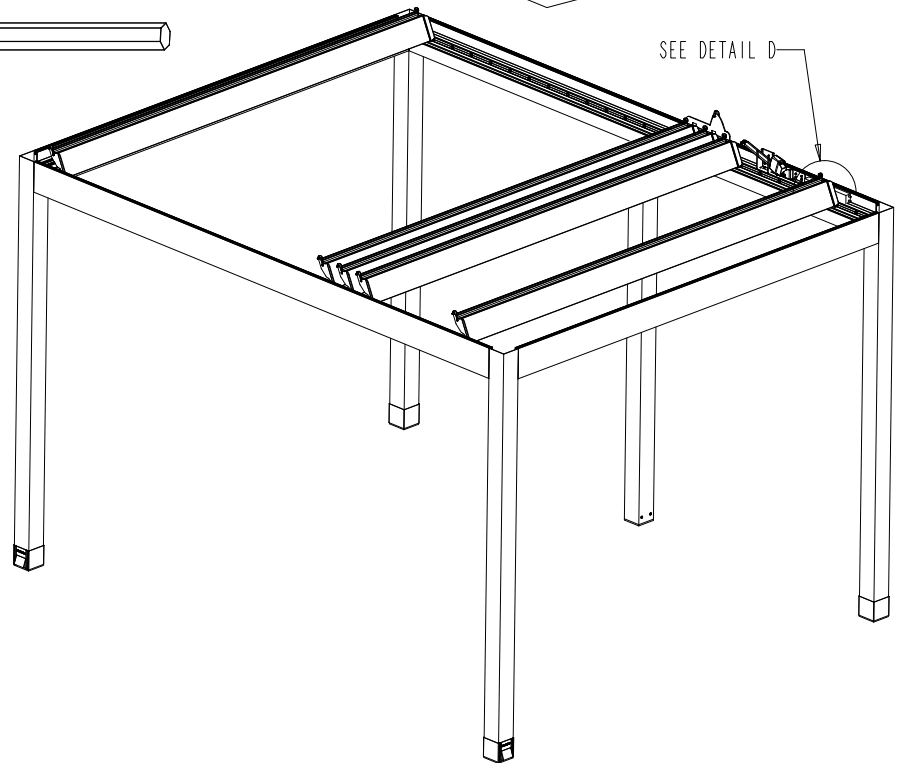
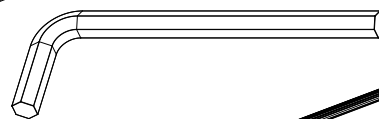
SCHILD R LOUVER LP450



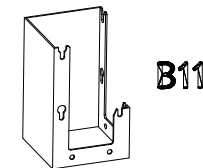
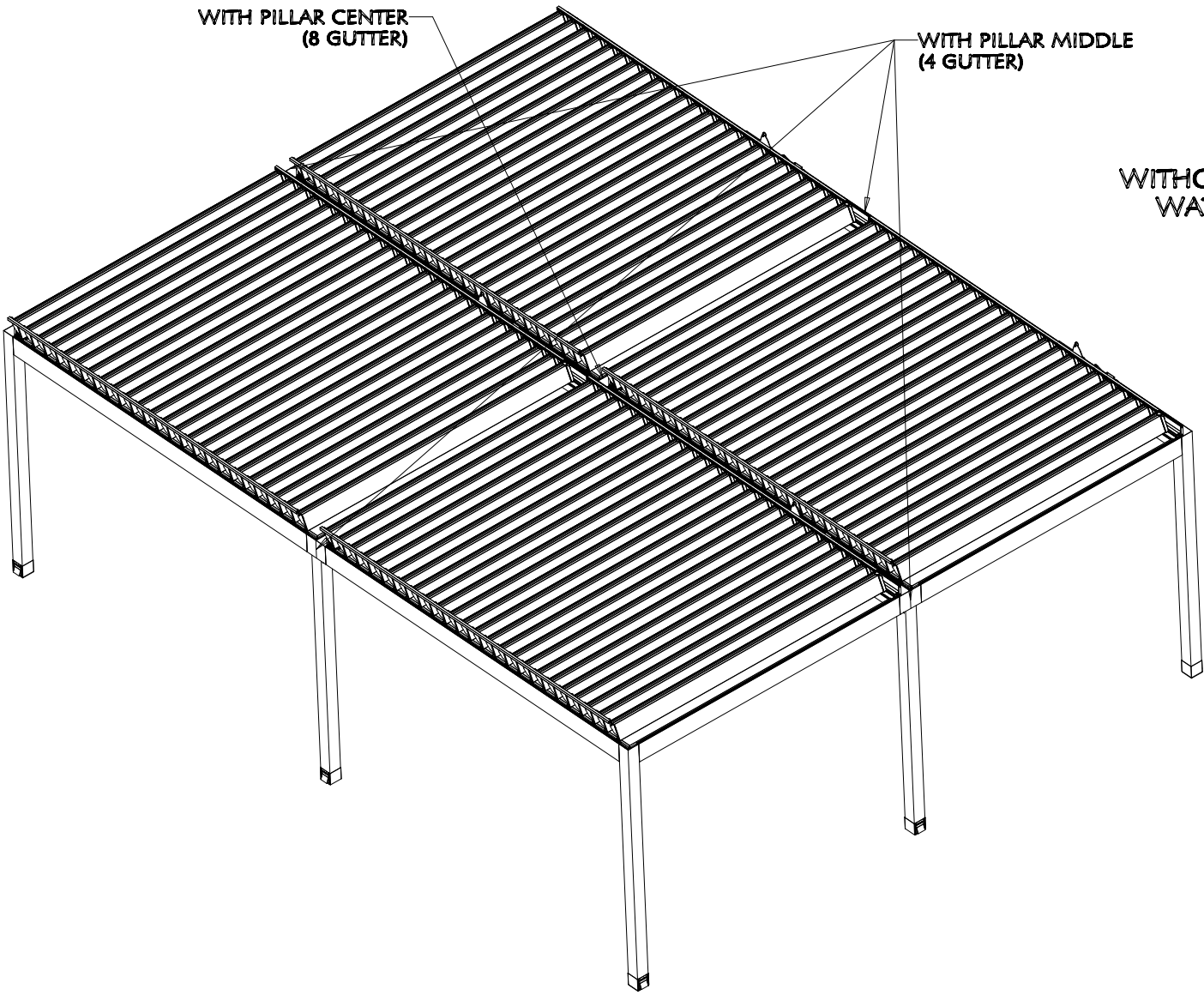
SCALE 1:40



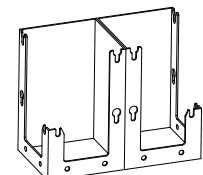
SCALE 2:5



SCHILD R LOUVER LP450

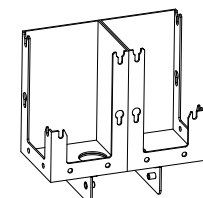


WITHOUT PILLAR CORNER
(2 GUTTER)



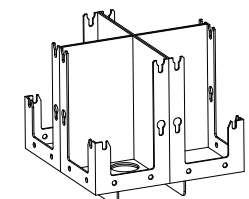
B12

WITHOUT PILLAR MIDDLE
(4 GUTTER)



B13

WITH PILLAR MIDDLE
(4 GUTTER)

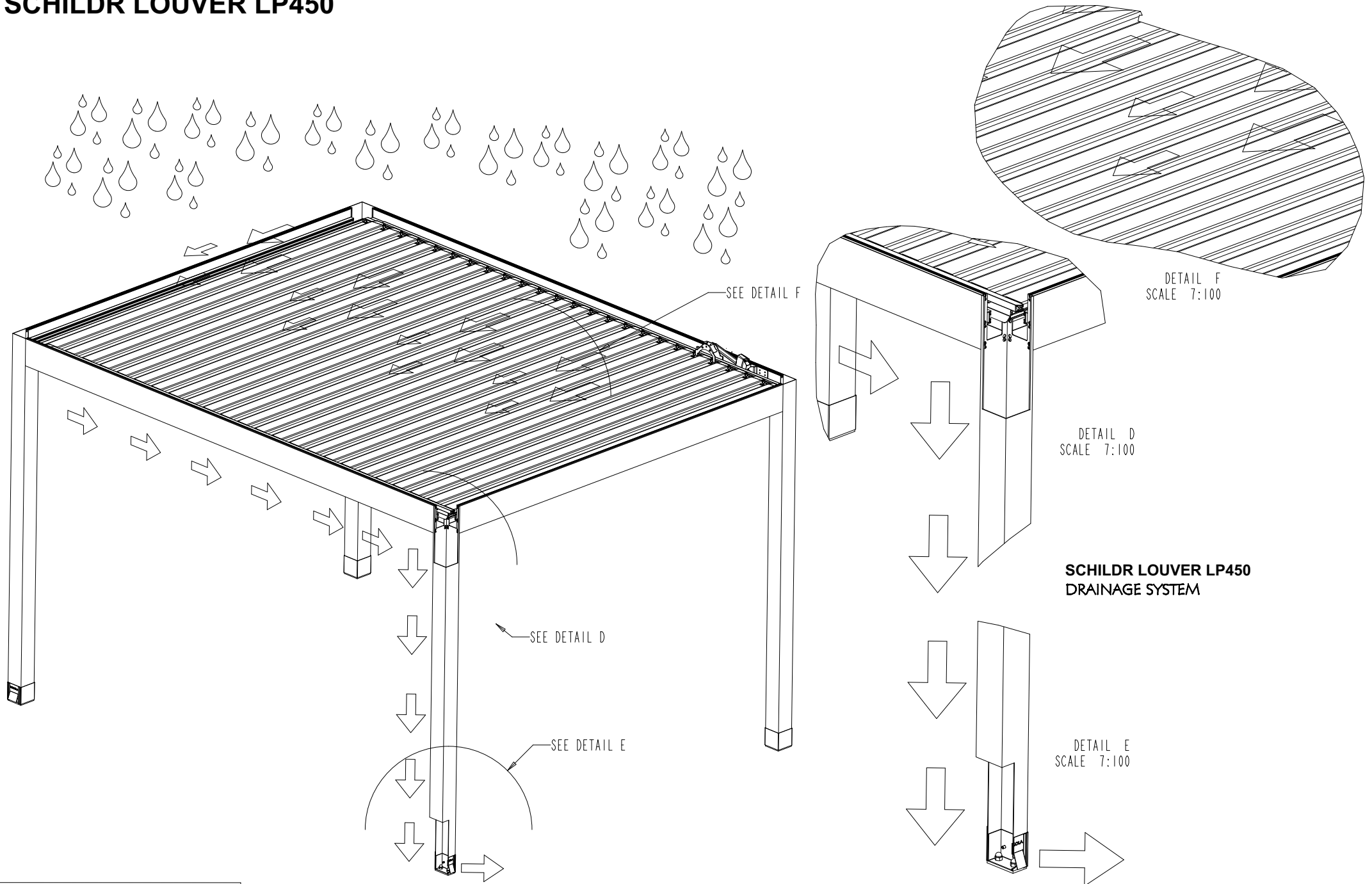


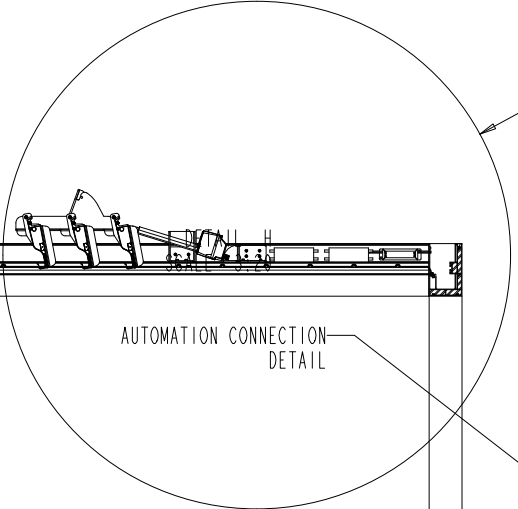
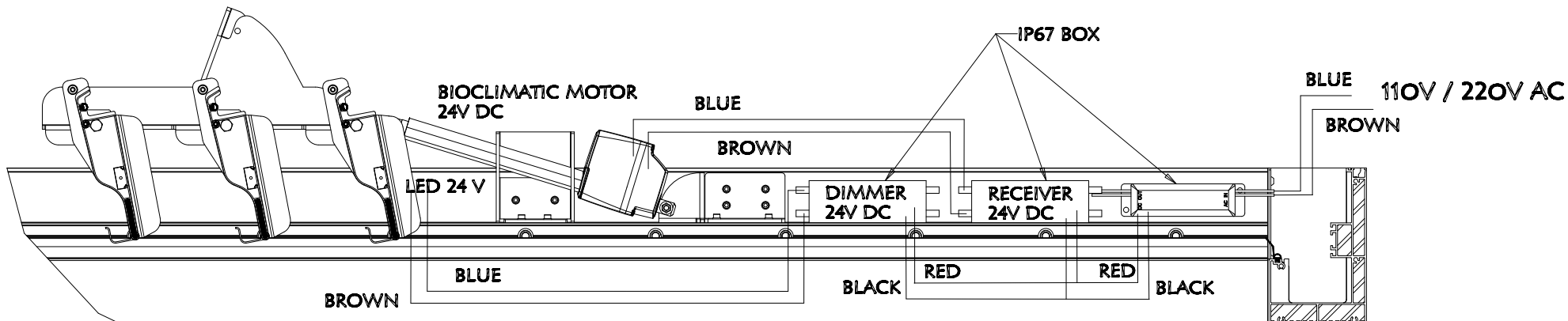
B14

WITH PILLAR CENTER
(8 GUTTER)

MULTIPLE ASSEMBLY

SCHILDR LOUVER LP450





SEE DETAIL H

